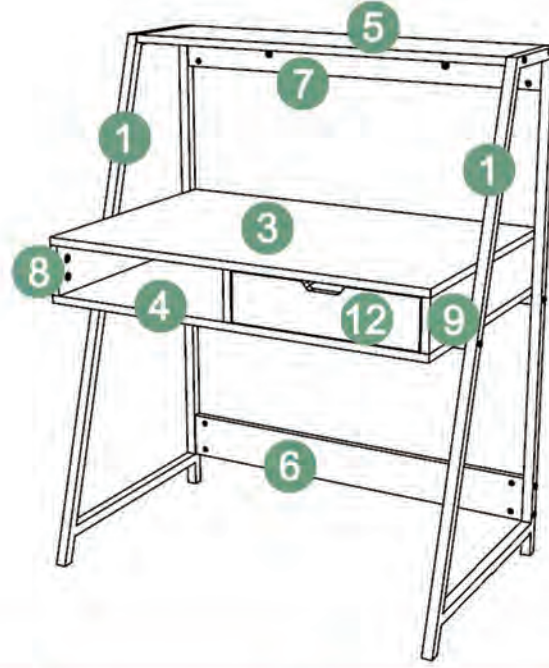




FWT63

2019-01

SoBuy®



TOOLS:



UNIT:MM

1 × 2	2 × 2	3	4	5	6	7	8
200/500×1000×20	760×20×20	760×500×15	760×500×15	760×200×15	760×90×15	760×65×15	500×95×15

UNIT:MM

9	10	11	12	13	14	15	16
500×95×15	480×95×15	735×103×3	355×92×15	350×90×12	350×90×12	325×90×12	343×330×3

UNIT:MM

A × 16	B × 12	C × 18	D × 18	F × 13	G × 4	H × 4	J × 6	K × 2	L × 2	M
M6×55	M6×Φ10×10	M6×35	Φ15×10	Φ8×30	M4×30	M4×30	M3×10	M4×10	340	4



Pour en savoir plus:
www.quefairedemesdechets.fr

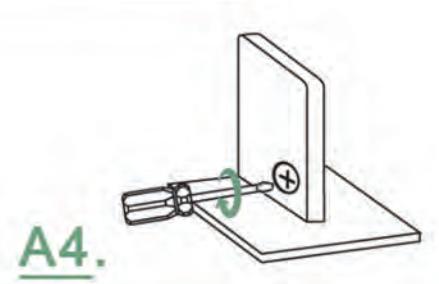
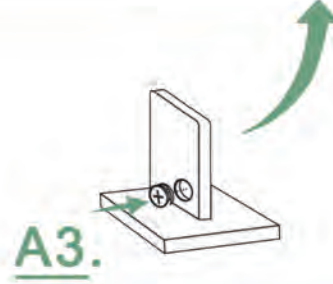
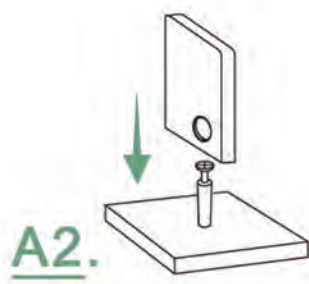
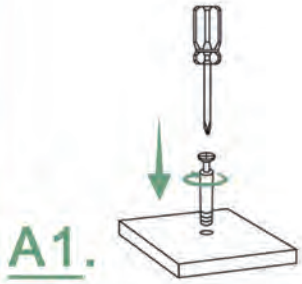
Stand:11.2019

BOLT INSTALLATION AS BELOW:



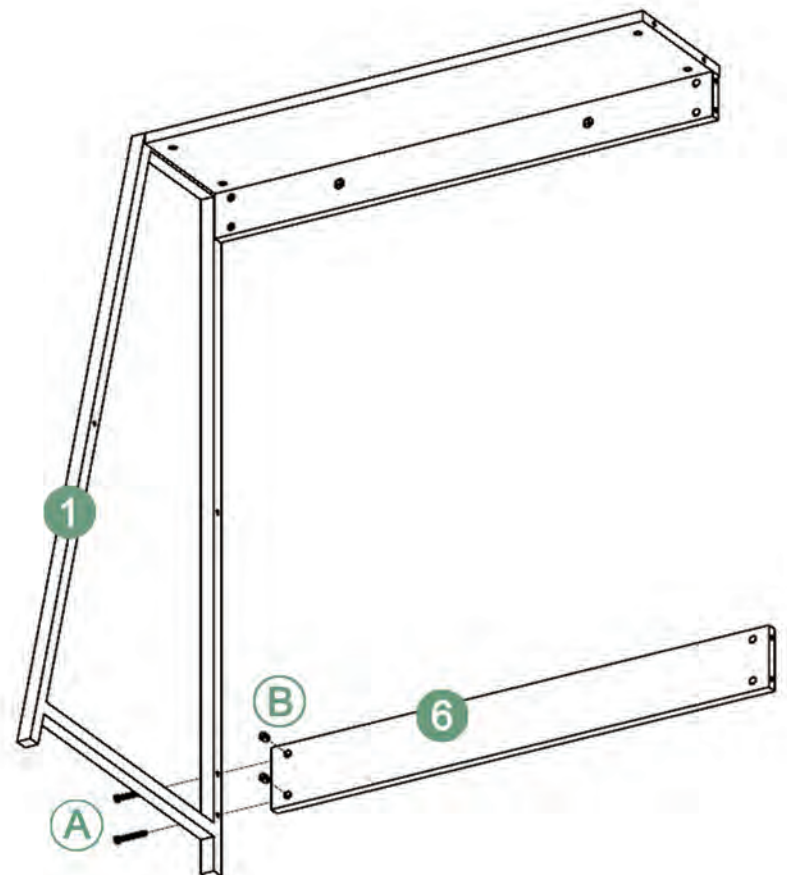
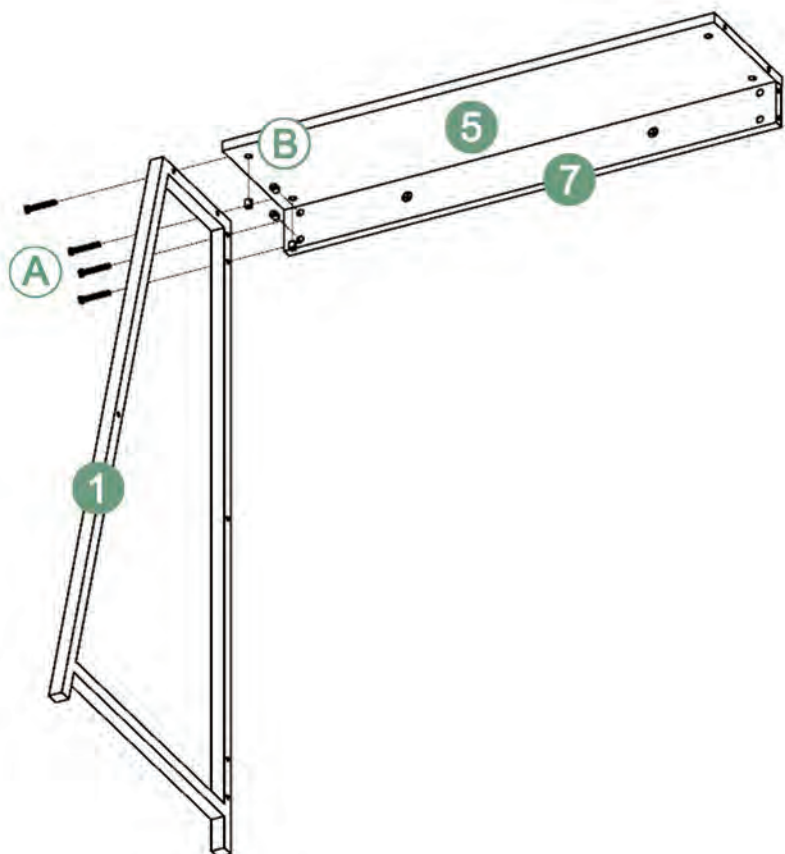
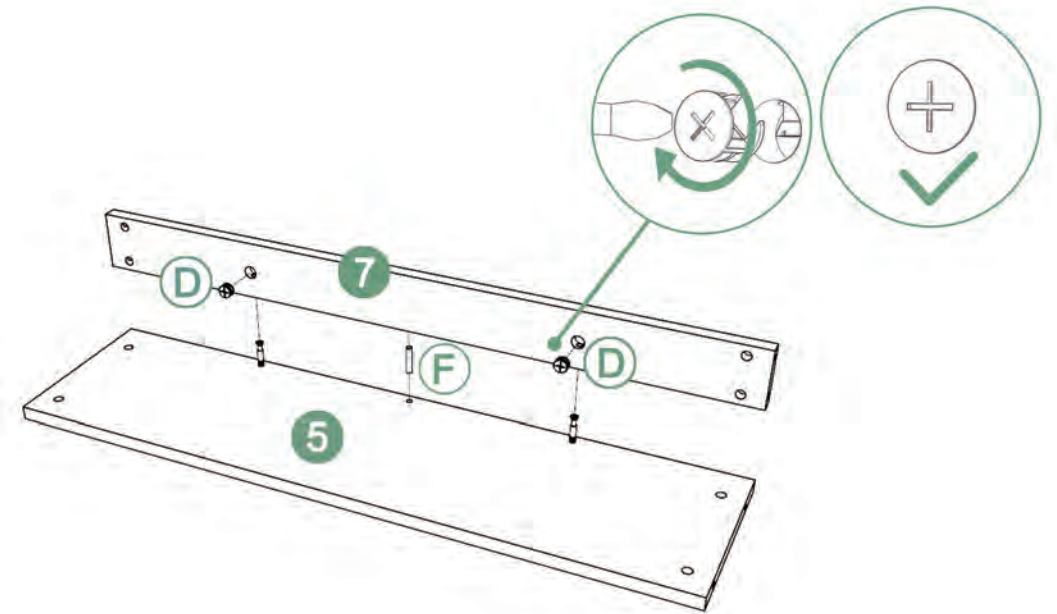
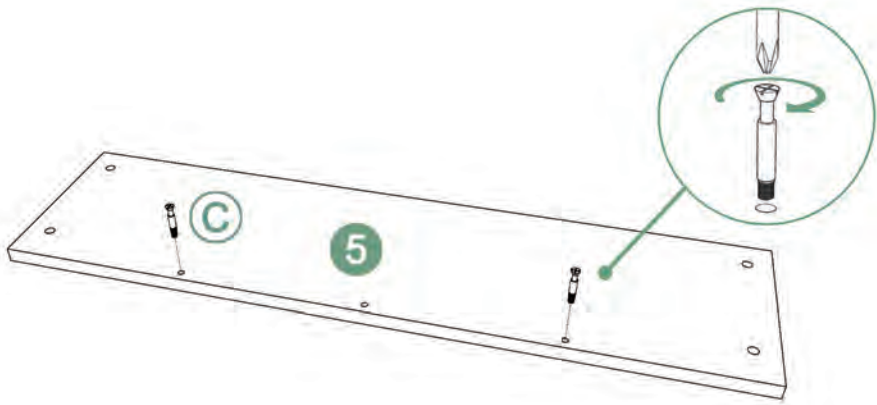
	BOLT
	Connecting piece

X	✓
Adjust connecting piece direction if condition as illustrated	Insert bolt when Connecting piece under Such condition

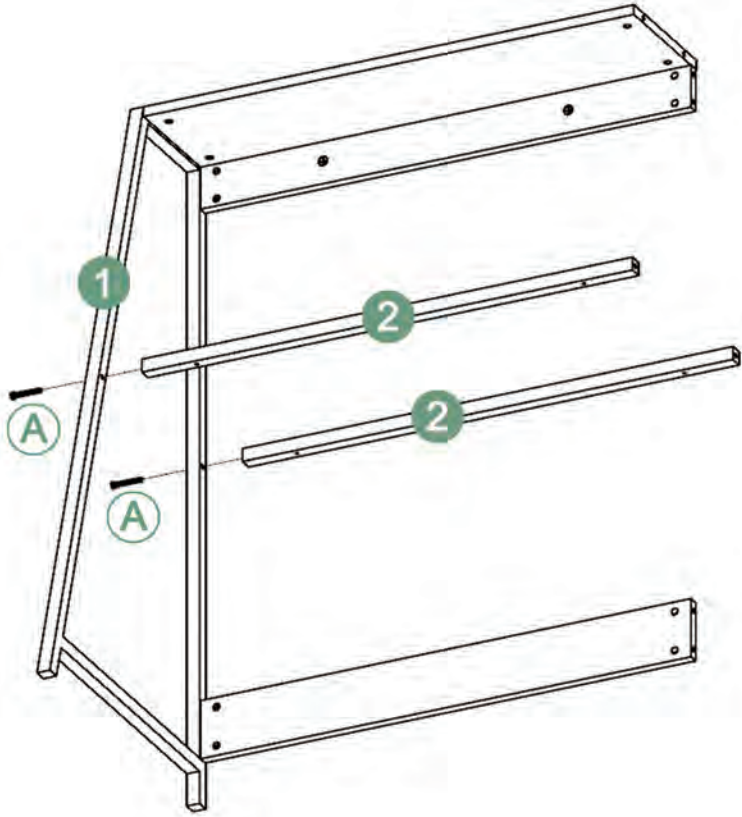


1.

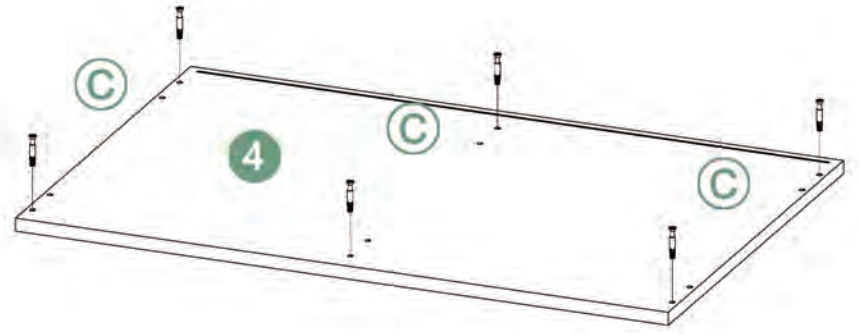
2.



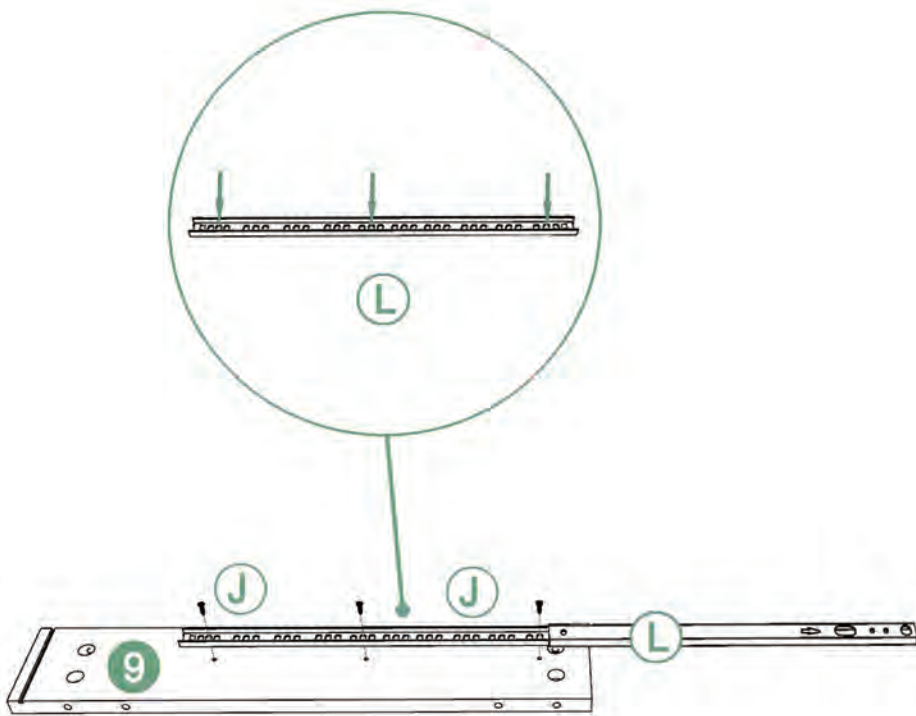
5.



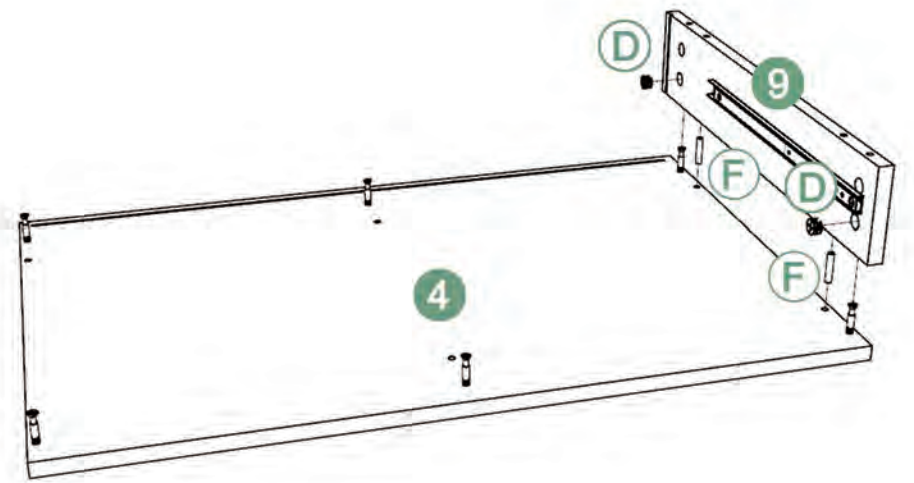
6.



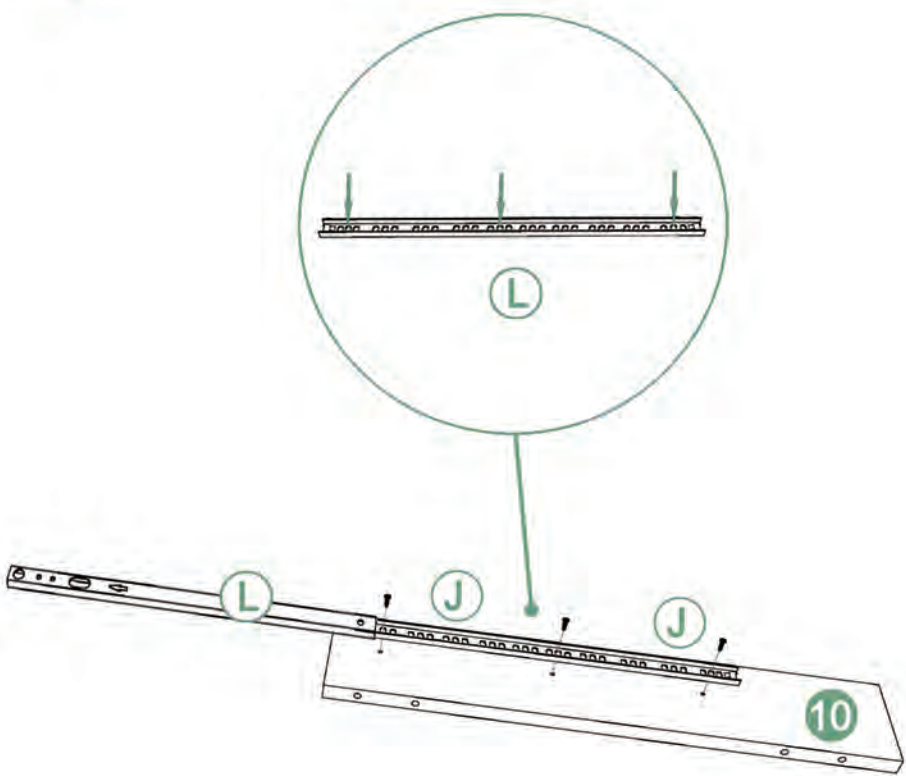
7.



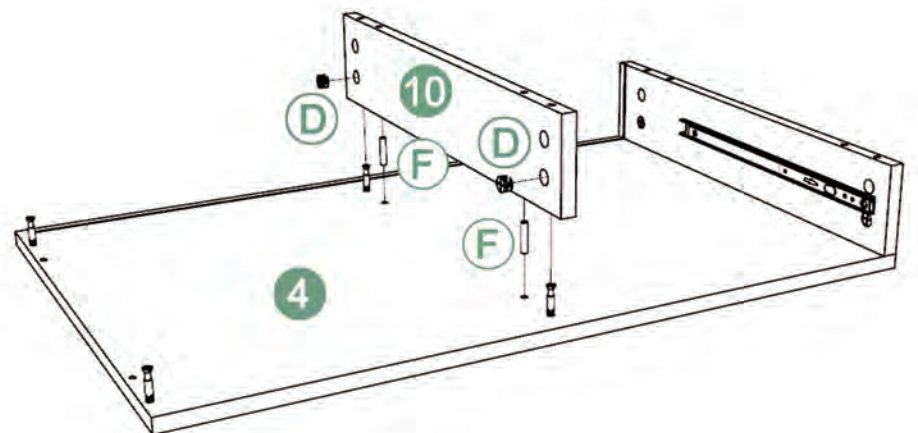
8.



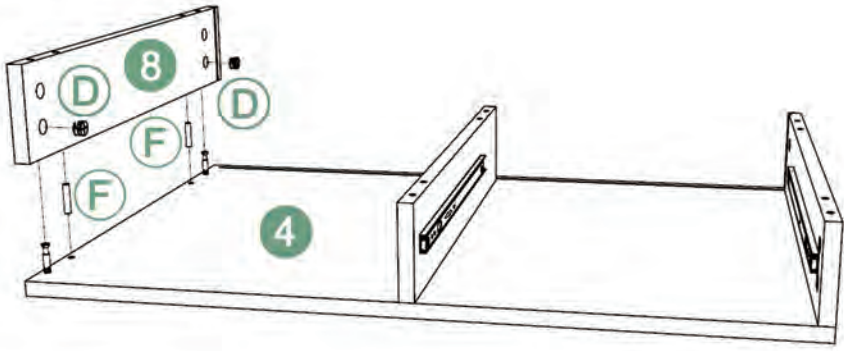
9.



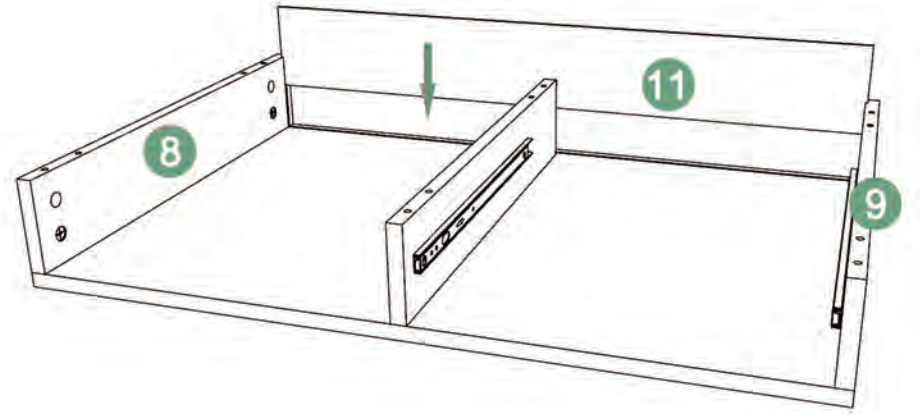
10.



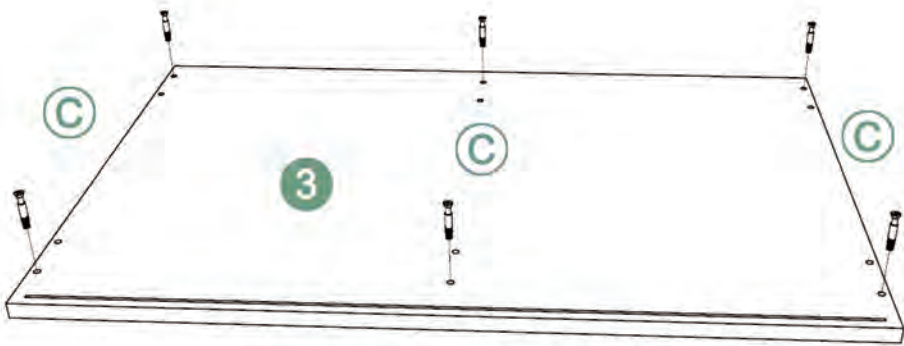
11.



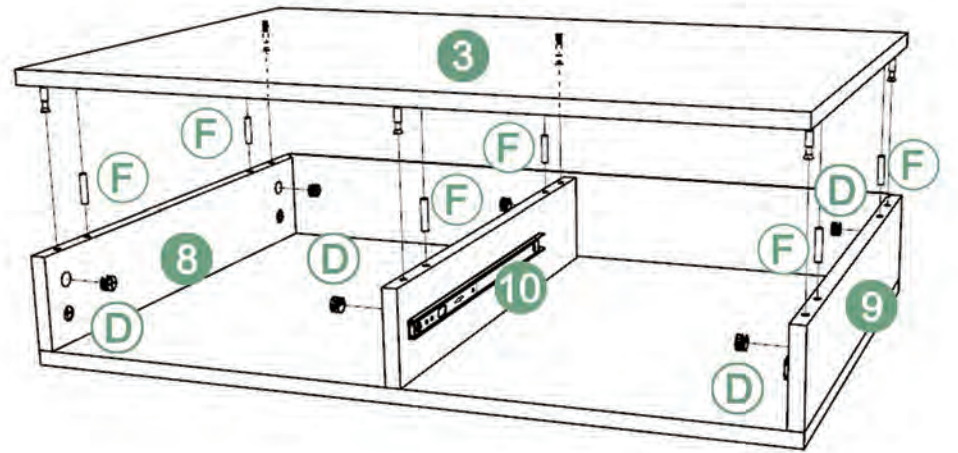
12.



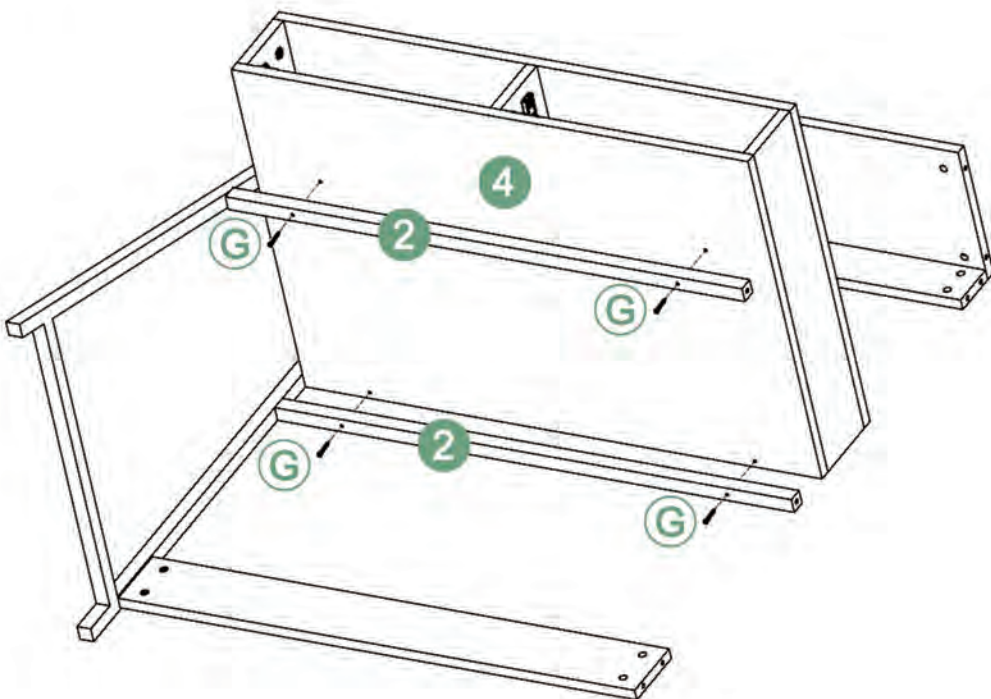
13.



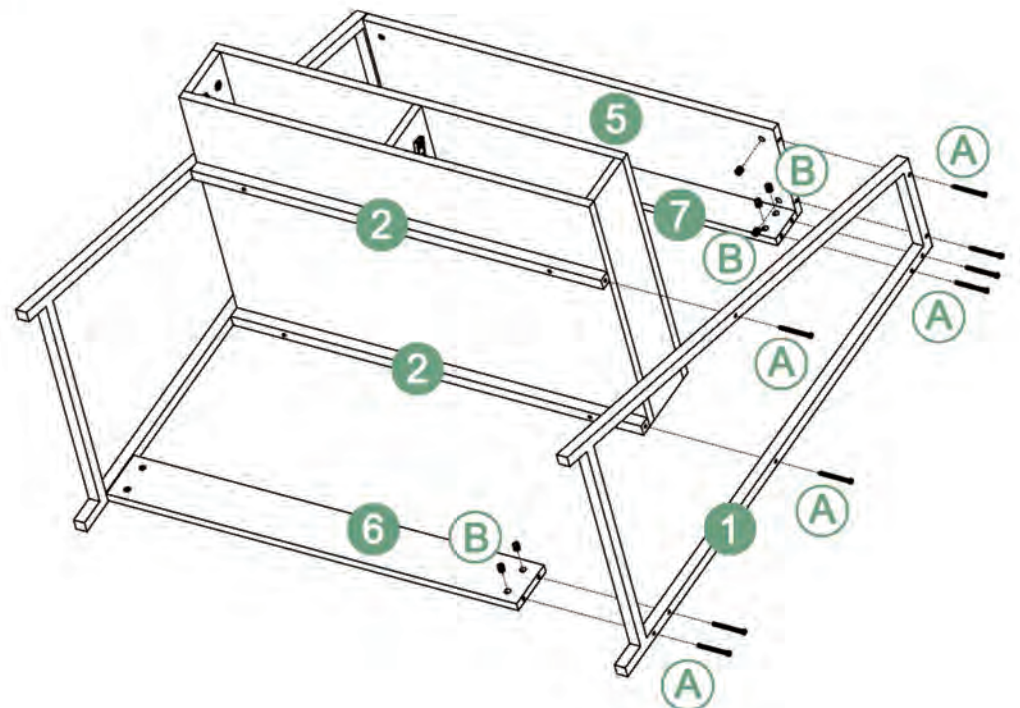
14.



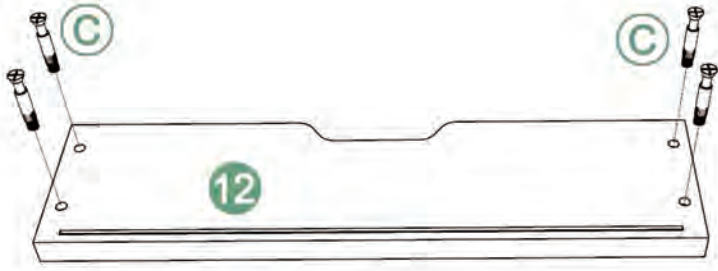
15.



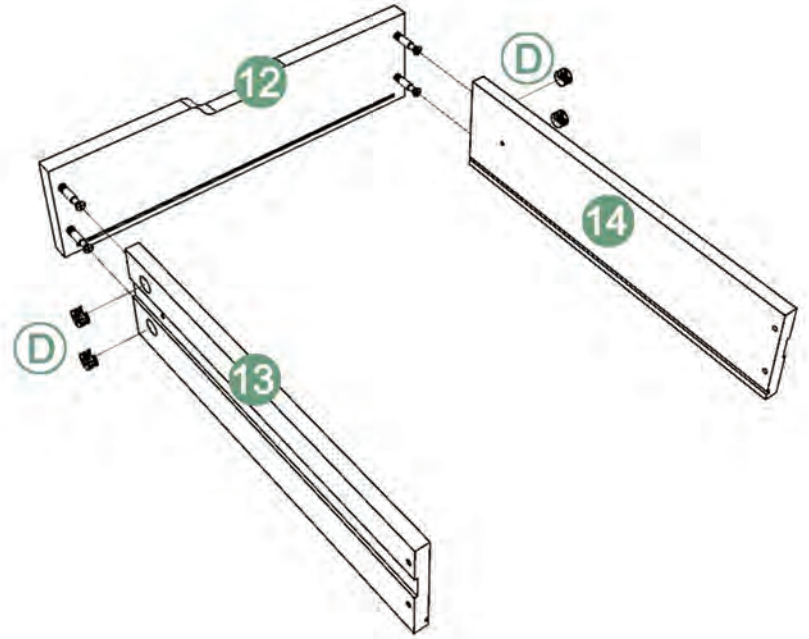
16.



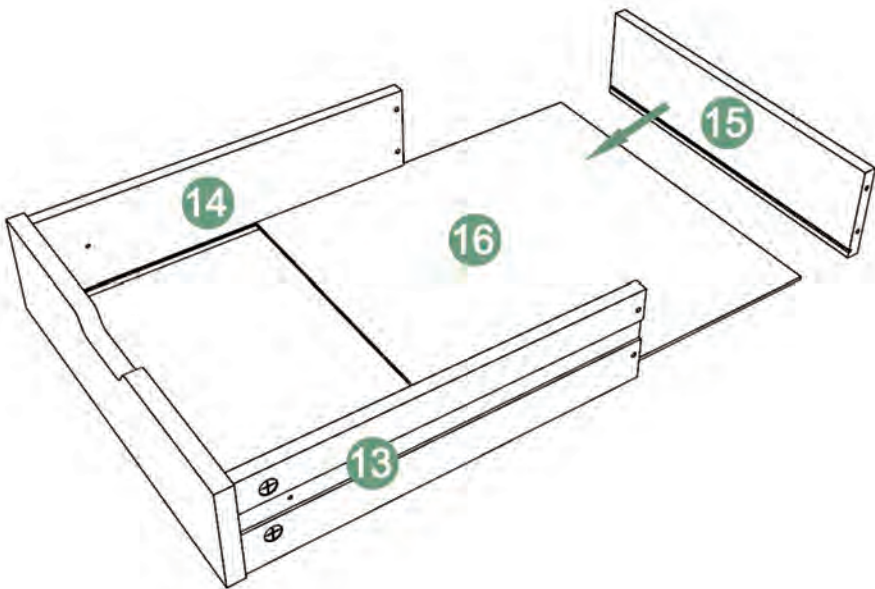
17.



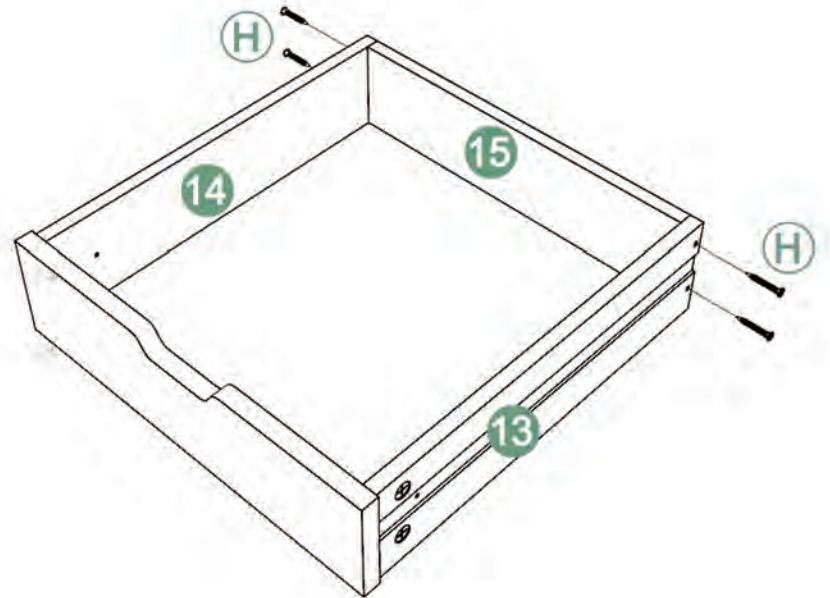
18.



19.



20.



21.

