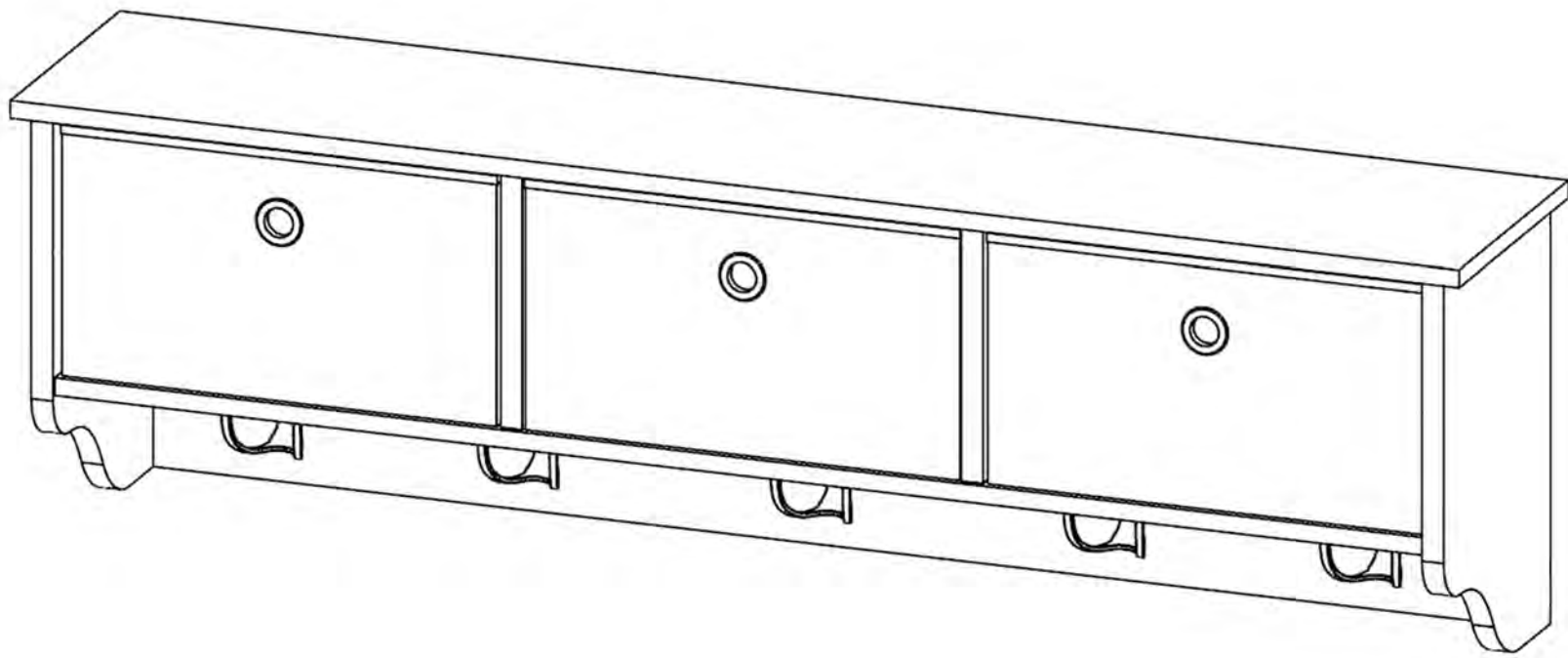




FRG282



TOOLS:

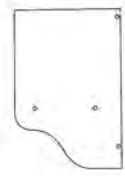


Pour en savoir plus:
www.quefairedemesdechets.fr

1



2



3



4

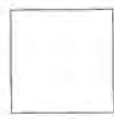


5



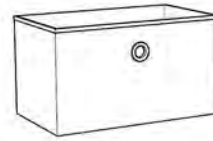
6

X
2



7

X
3



8

X
3



UNIT:MM

(B)
X
20



M4*35

(C)
X
10



M3*16

(E)
X
5



(F)
X
16



Φ 6*30

UNIT:MM

(G)
X
4



25*25*2

(L)
X
20



Φ 20

(K)
X
2

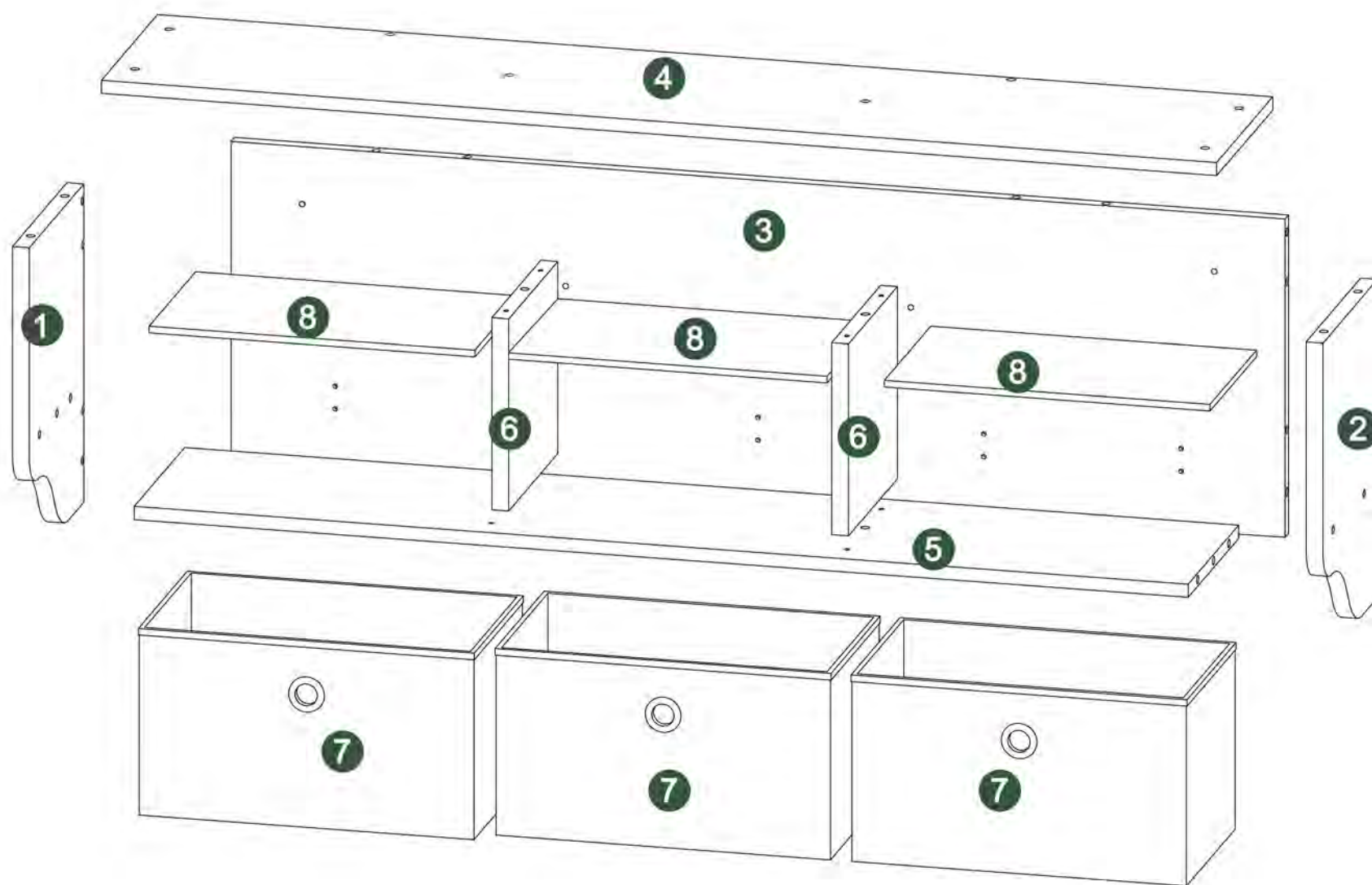


Φ 8*35

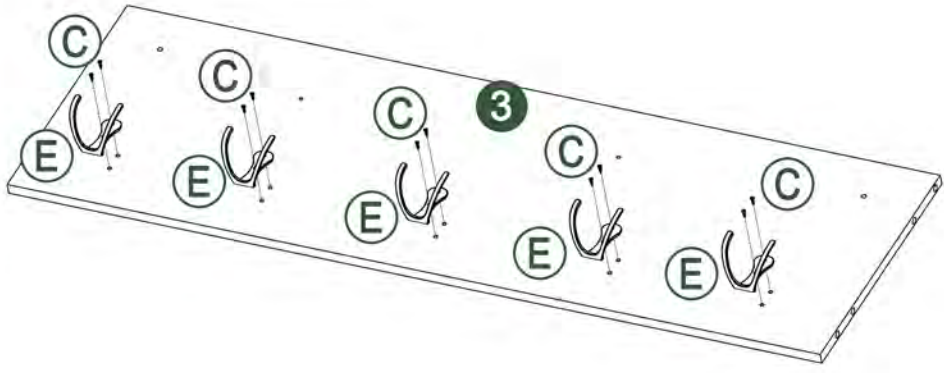
(J)
X
2



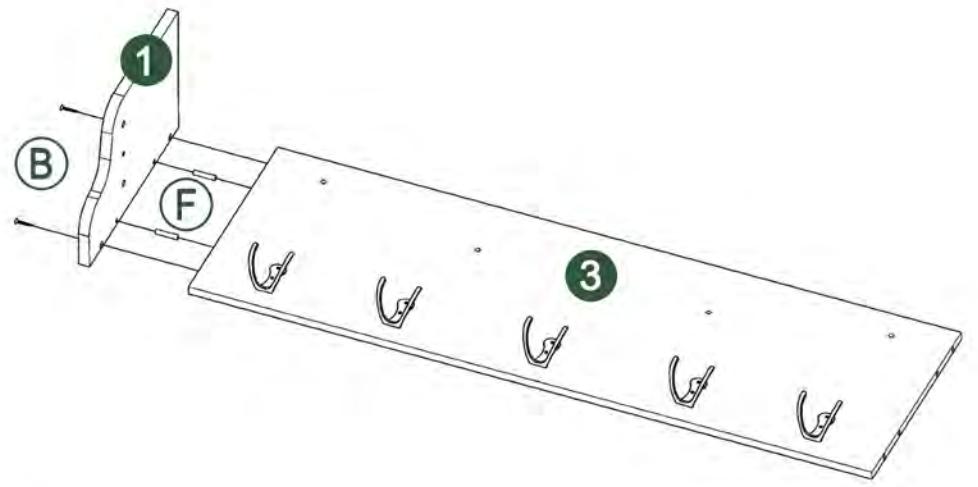
M5*45



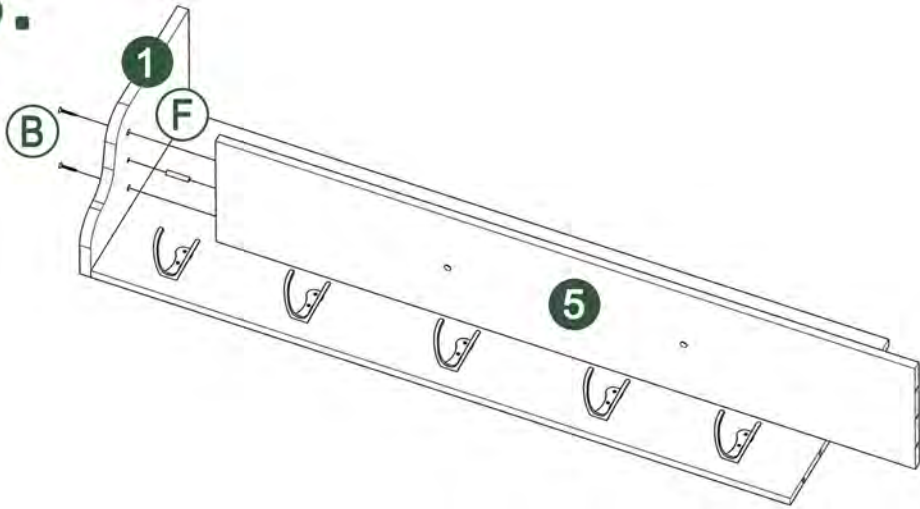
1.



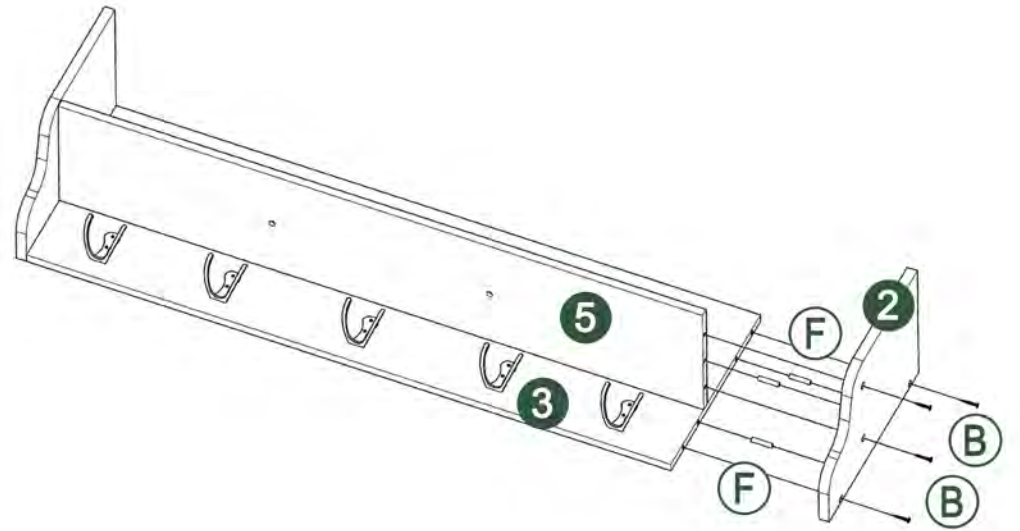
2.



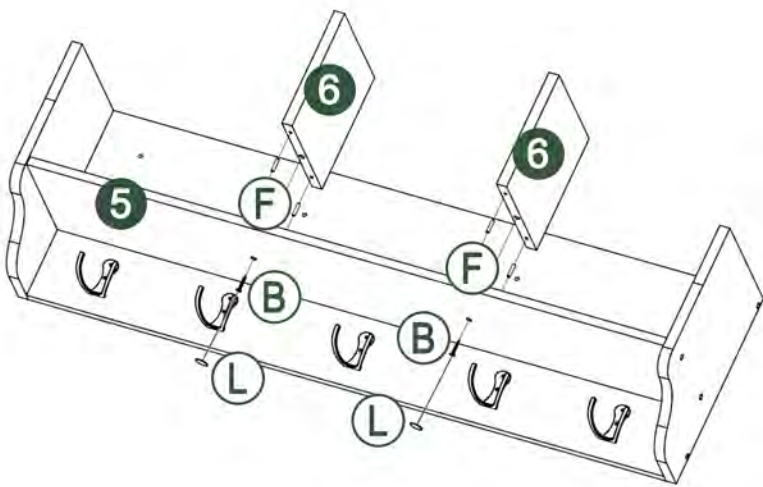
3.



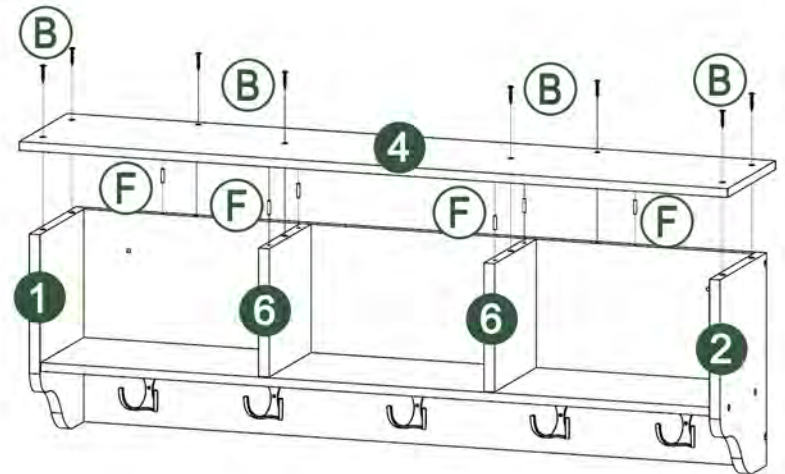
4.



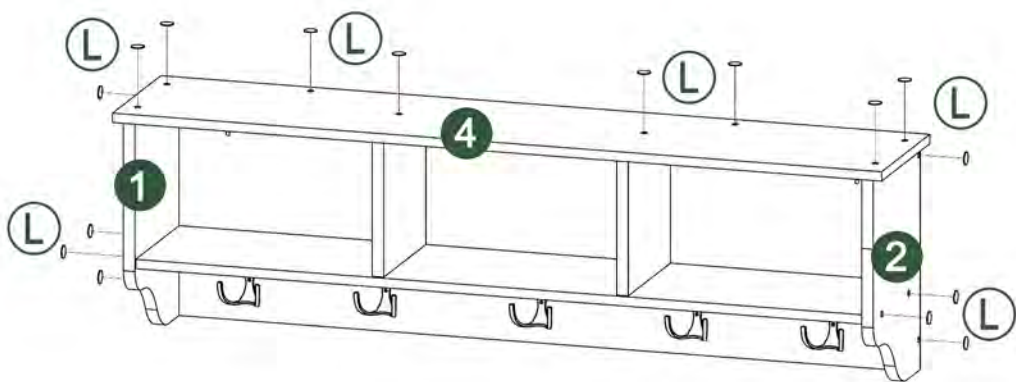
5.



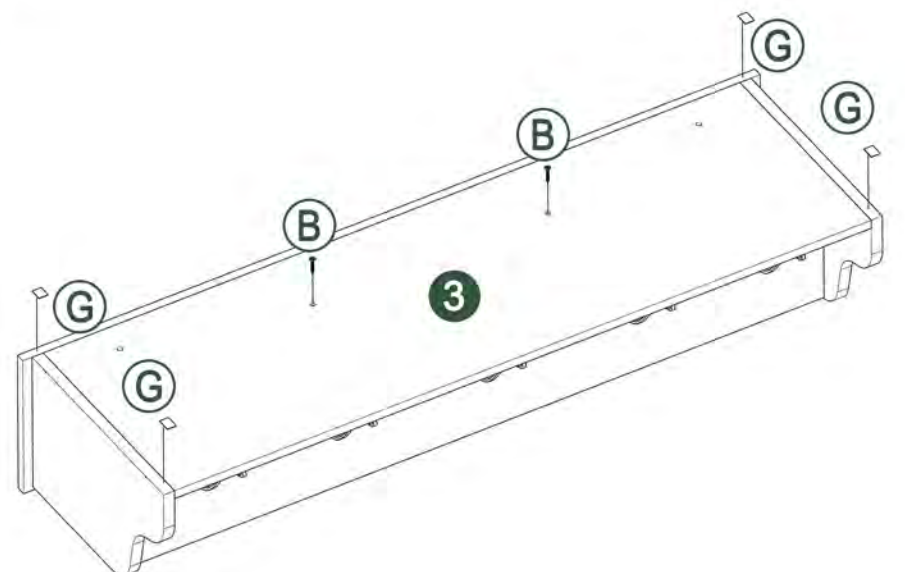
6.



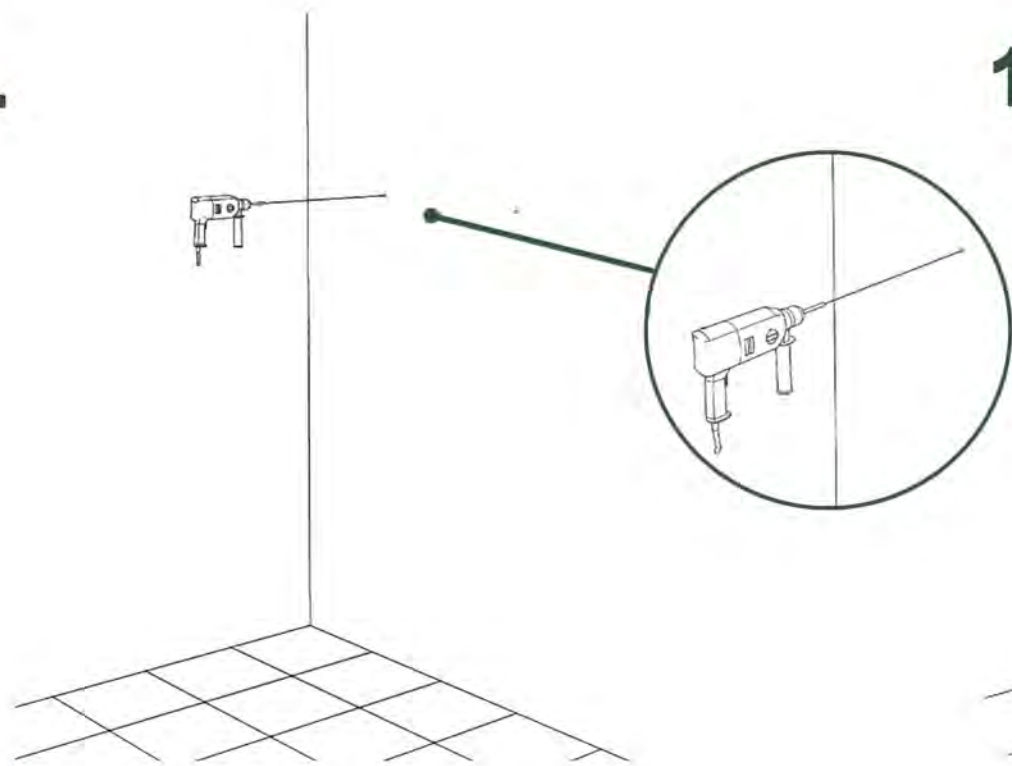
7.



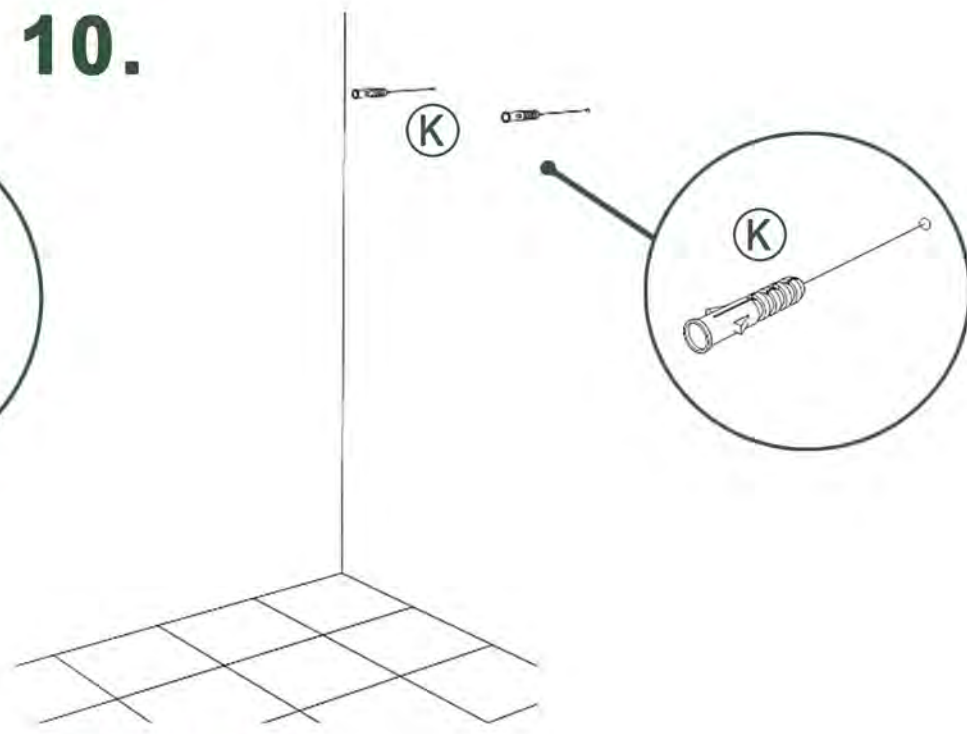
8.



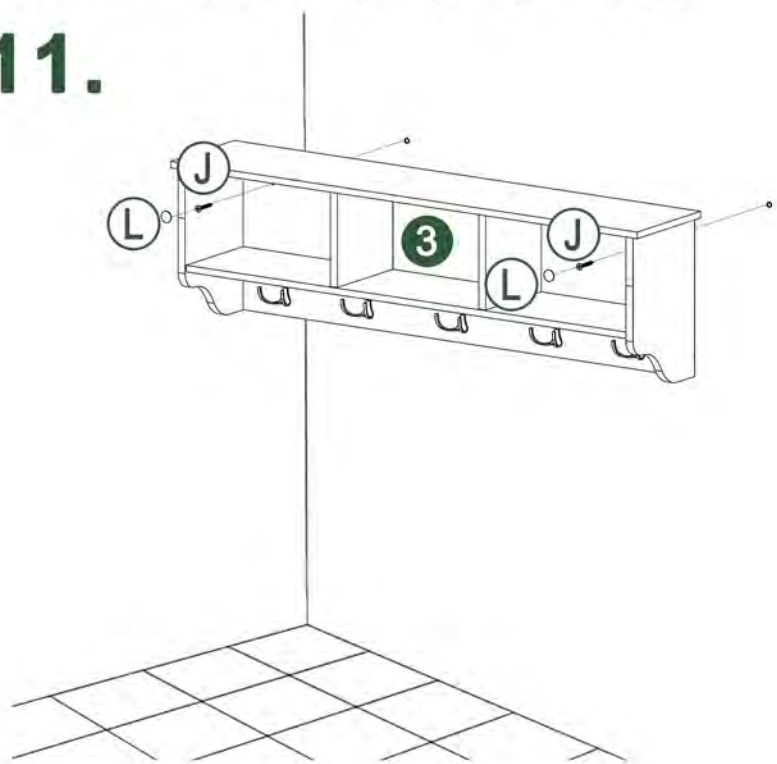
9.



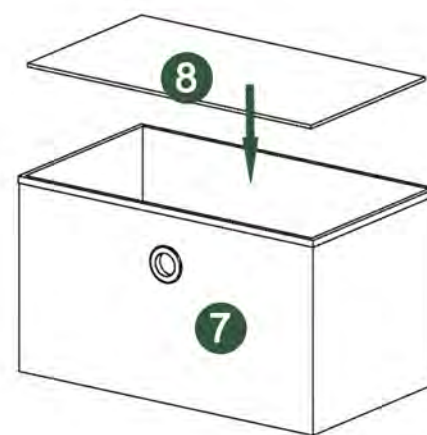
10.



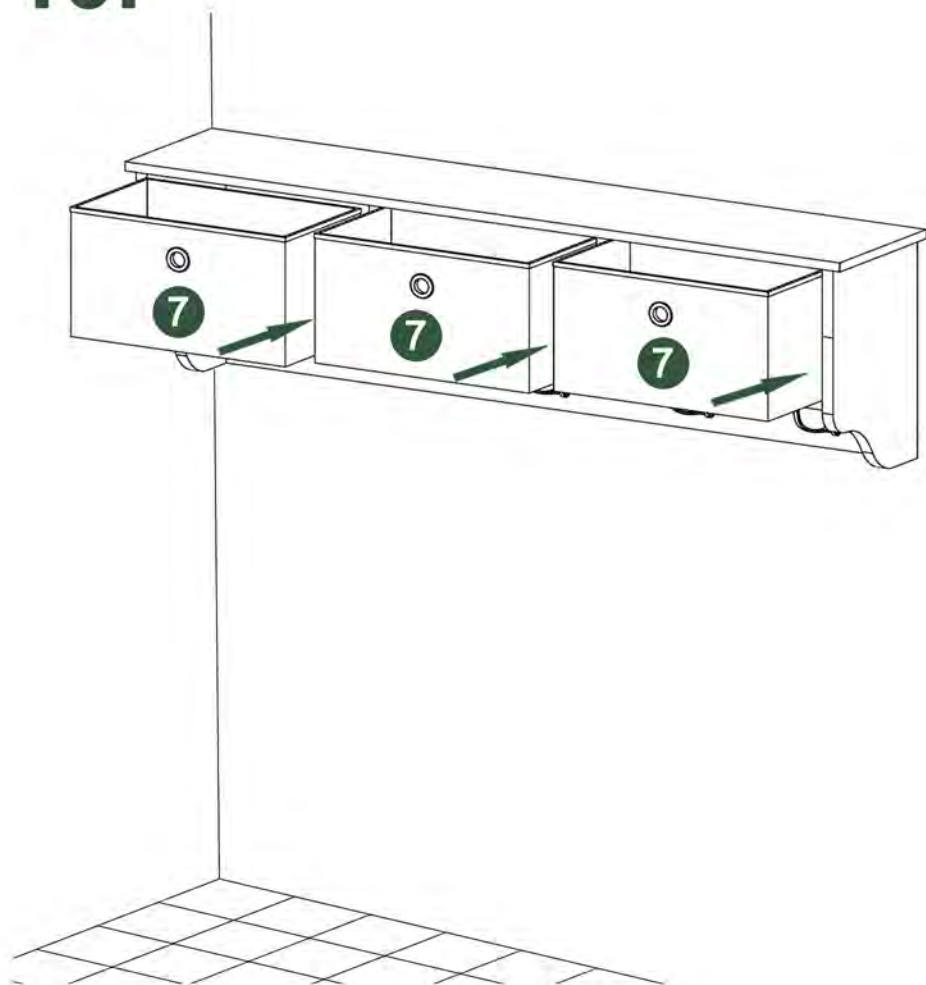
11.



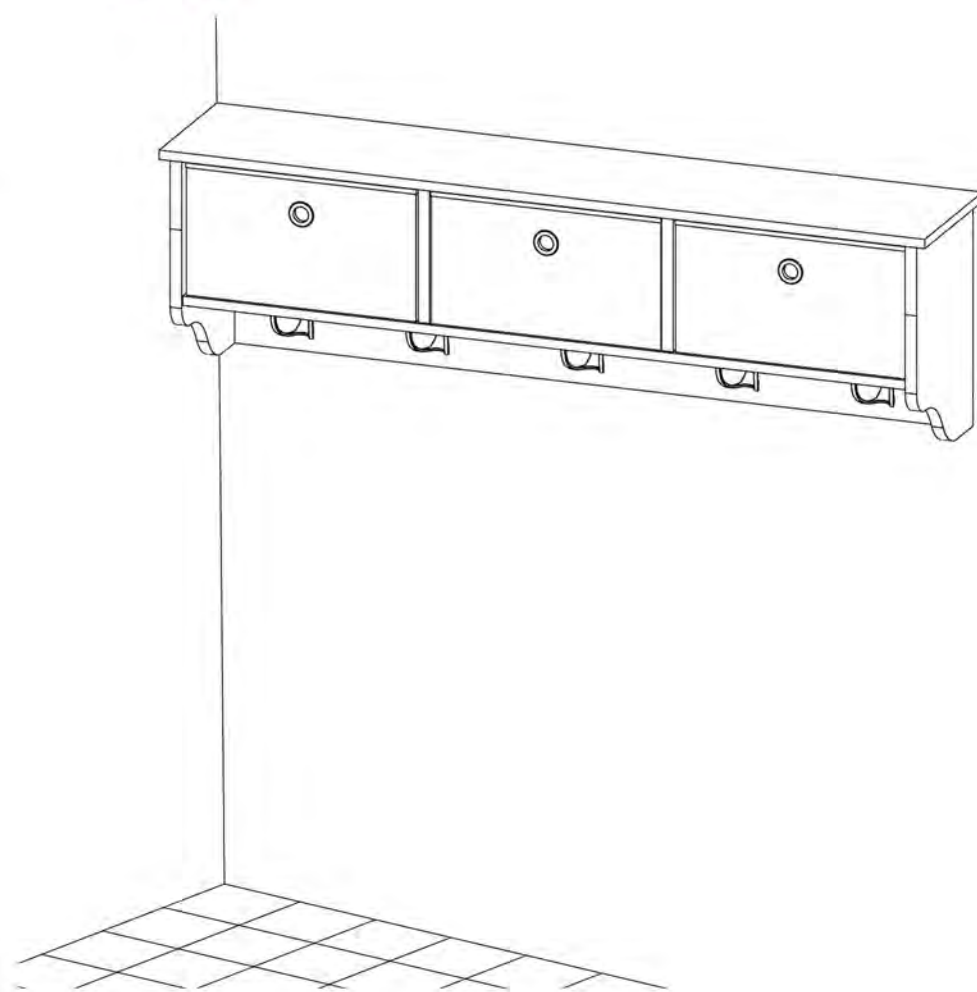
12(X3).



13.



14.





Scan the QR code to answer a short survey



Scan the QR code to share your review