

Safety Instructions

1, 2, 3, 4, 5, 6, 8, 12, 16, 17, 18, 19, 20, 22, 24, 29, 30, 31, 32, 33, 34



Info Hotline



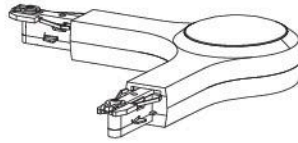
+49 (0) 5041 998 389

Mon. - Do. 7⁰⁰ - 20⁰⁰
Fr. 7⁰⁰ - 17⁰⁰

Paulmann Licht GmbH
Quezinger Feld 2
31832 Springe
Germany

www.paulmann.com

Art.-Nr.: 954.85
954.86
(+MA326)PH03/17



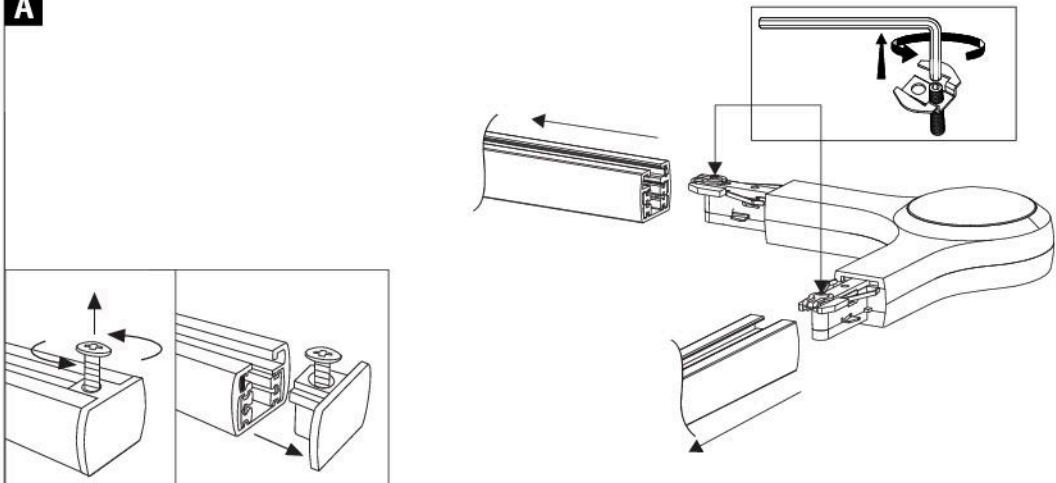
1x



incl



A



Safety Instructions
Nr. 3, 4, 5, 6

B

