

Safety Instructions

1,2,3,4,5,6,7,10,12,13,16,19,
20,22,24,28,33,34



Info

www.paulmann.com

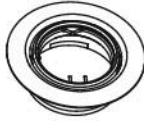
Paulmann Licht GmbH
Quezinger Feld 2
31832 Springe
Germany

www.paulmann.com

Art.-Nr.: 934.25
934.27



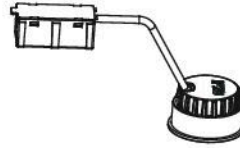
incl.



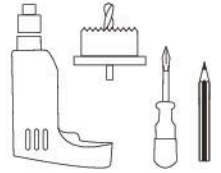
3x



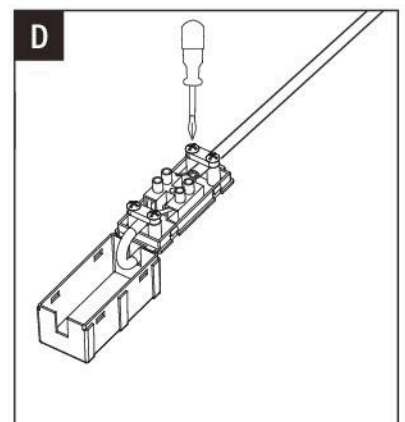
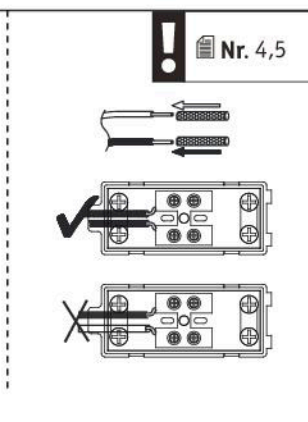
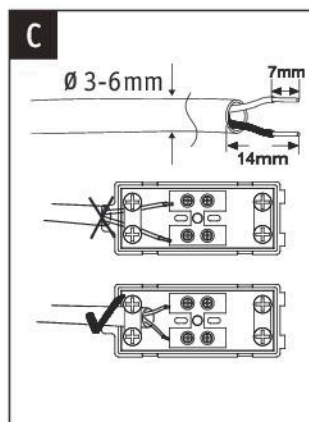
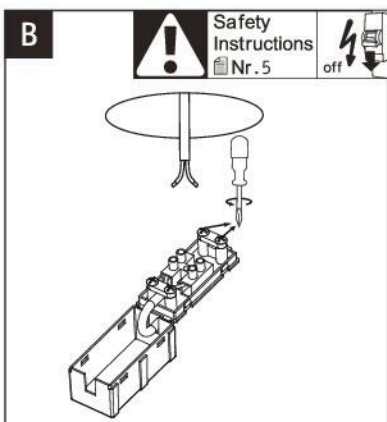
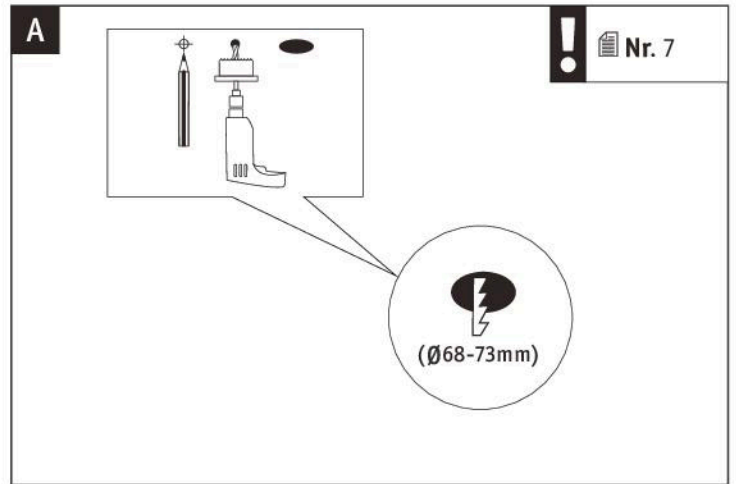
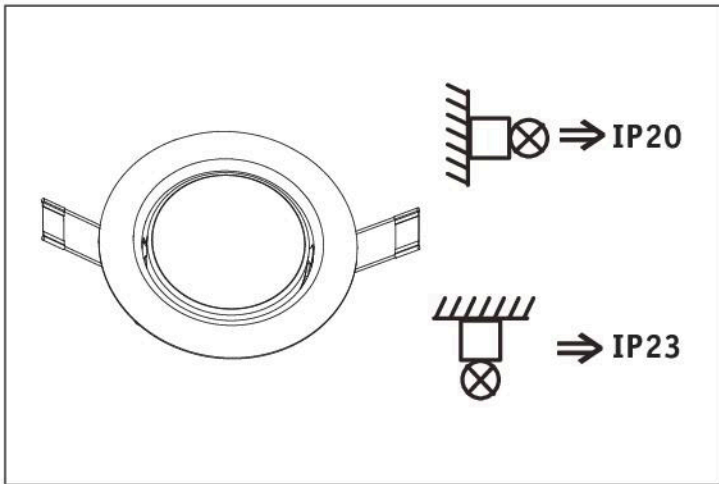
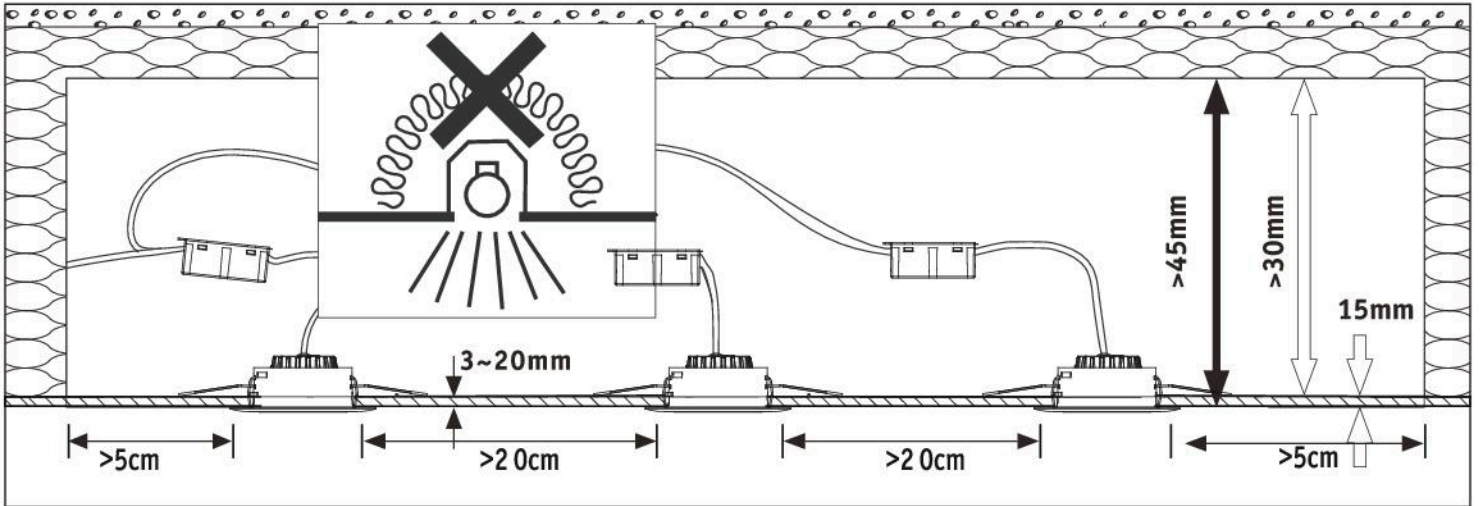
6x

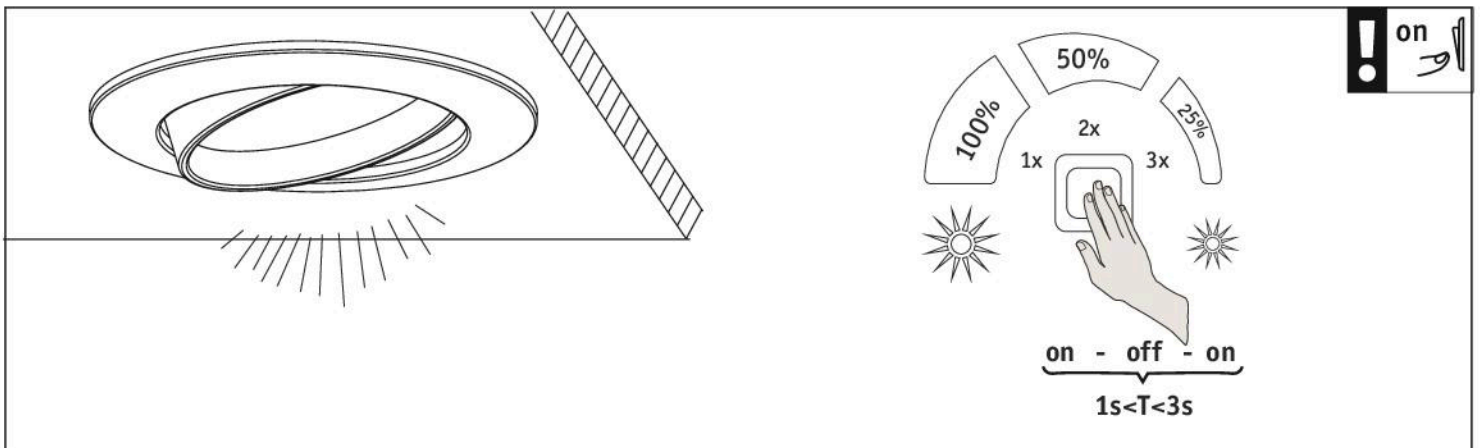
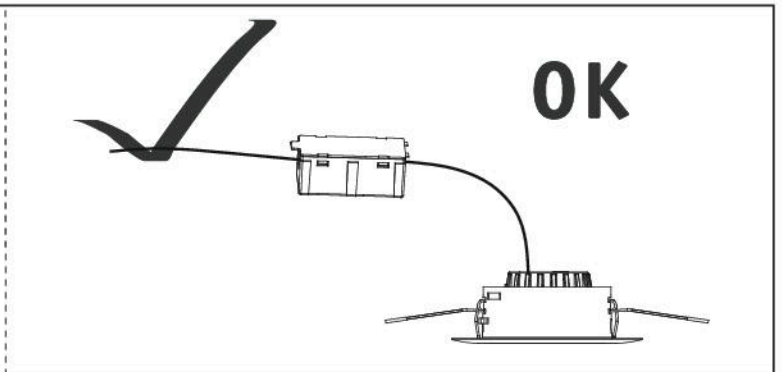
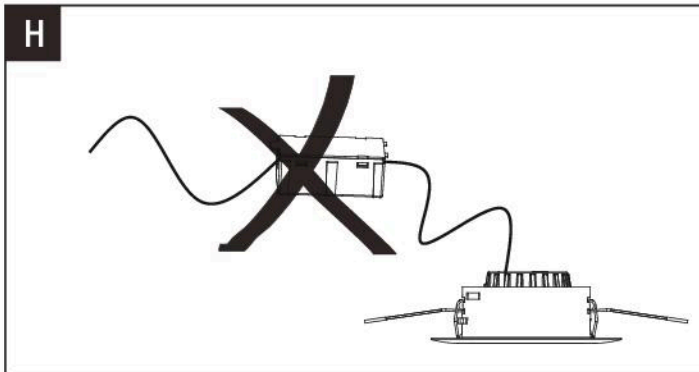
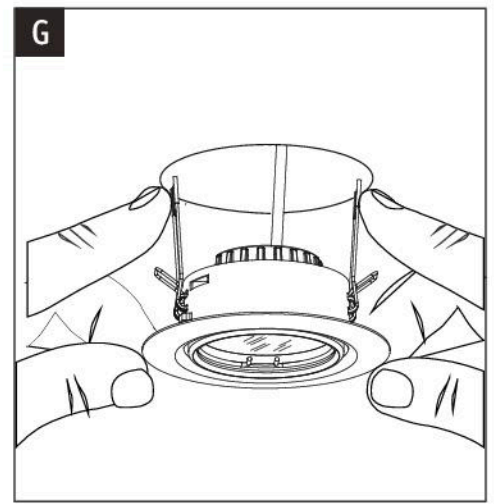
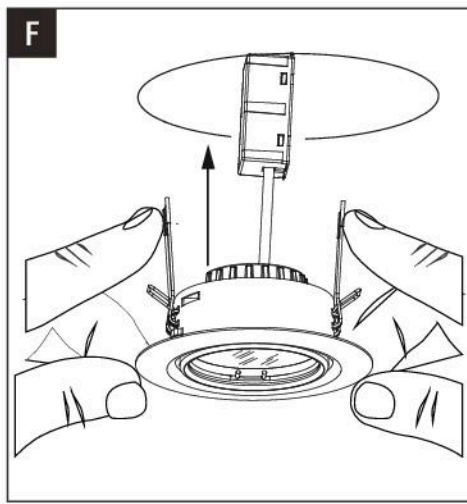
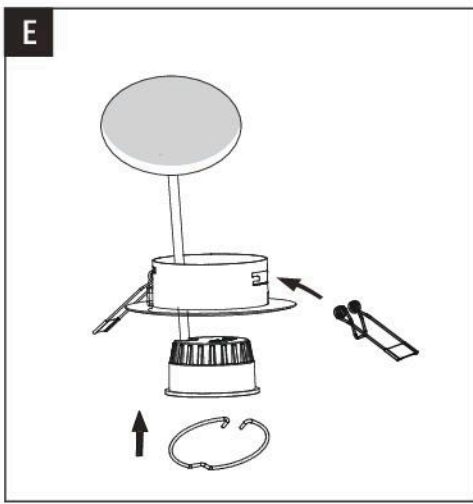


3x



(+MA326) PSPU 04/18





<p>ENERG Y IJA IE IA енергия · ενεργεια</p> <p>A++</p> <p>A+</p> <p>A</p> <p>B</p> <p>C</p> <p>D</p> <p>E</p> <p>5 kWh/1000h</p>	<p>ø 51 mm</p> <p>dimmable</p> <p>≈ 15x 1.000h</p> <p>CE</p> <p>21 PAP</p>	<p>350 lm</p> <p>5W</p> <p>230 V</p> <p>warm white</p> <p>3000K</p> <p>CRI/Ra ≥ 80</p> <p>ON OFF ≥50.000</p> <p>Lumen 60% <2 s</p> <p>390003975</p>
---	--	---