

# eCRAVE 2

*Enders*<sup>®</sup>

ELECTRIC GRILL



[www.enders-germany.com](http://www.enders-germany.com)

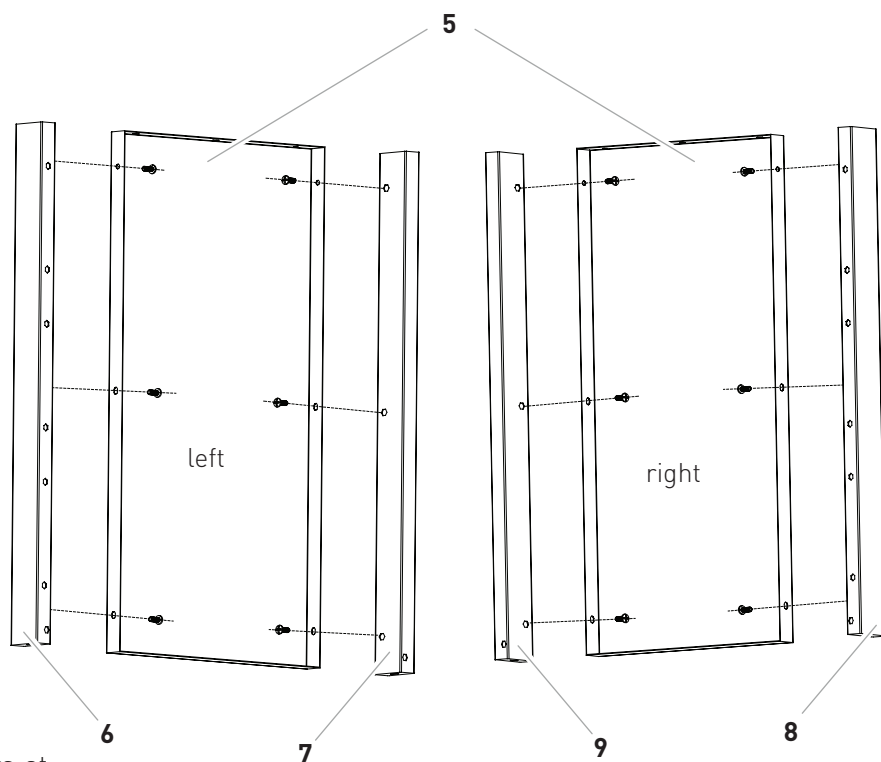
97116

# E-CRAVE 2



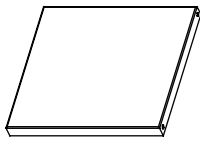
01

No.		Quantity
5		2
6		1
7		1
8		1
9		1
B		12

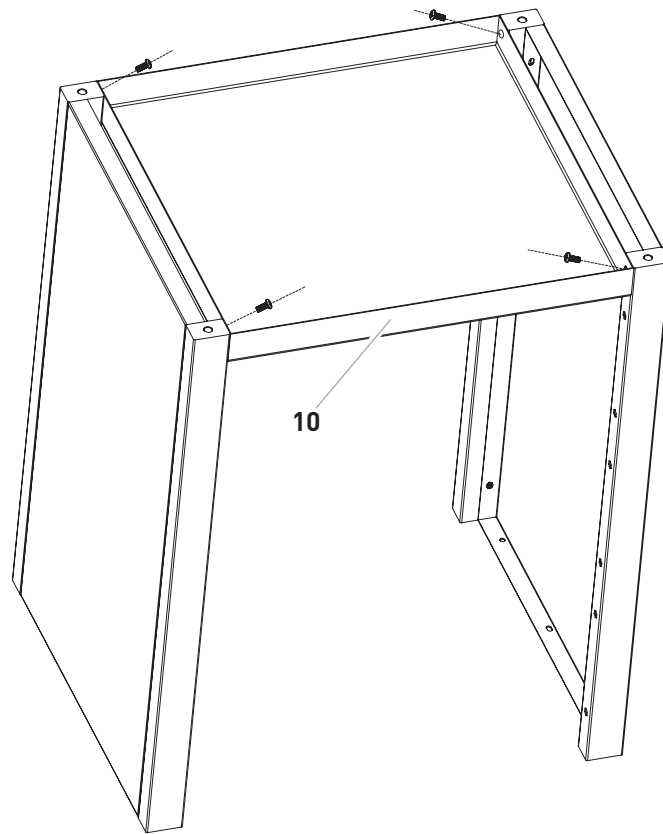
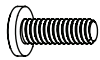


Pay attention to the stamped numbers at this point ① ② ③ ④.

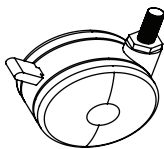
No.	Quantity
10	1



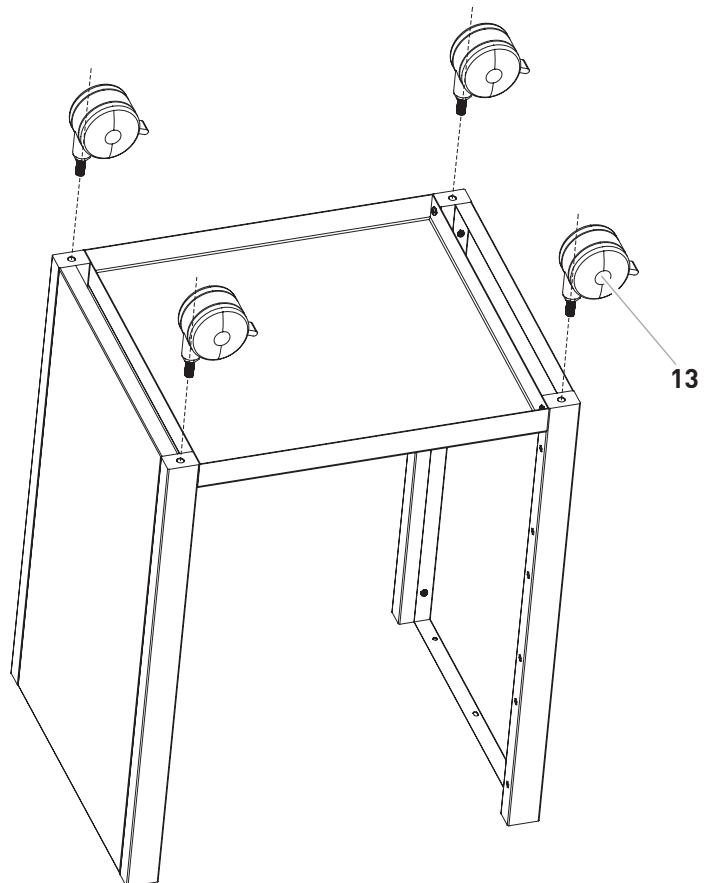
B	4
---	---



No.	Quantity
13	4

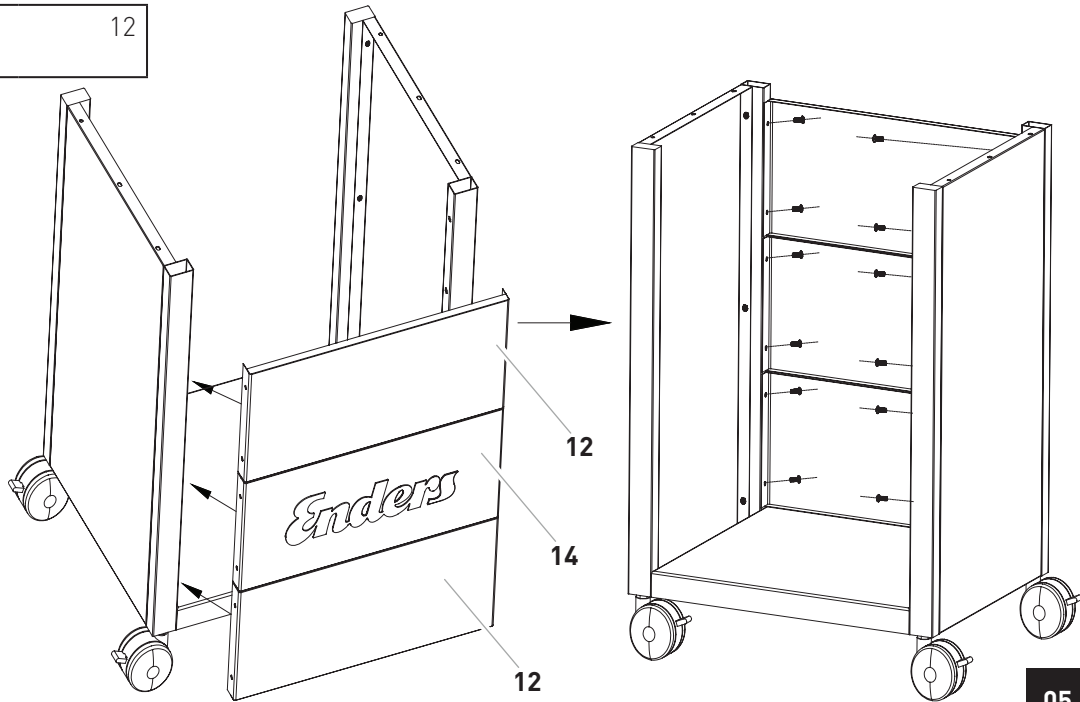


D	1
---	---



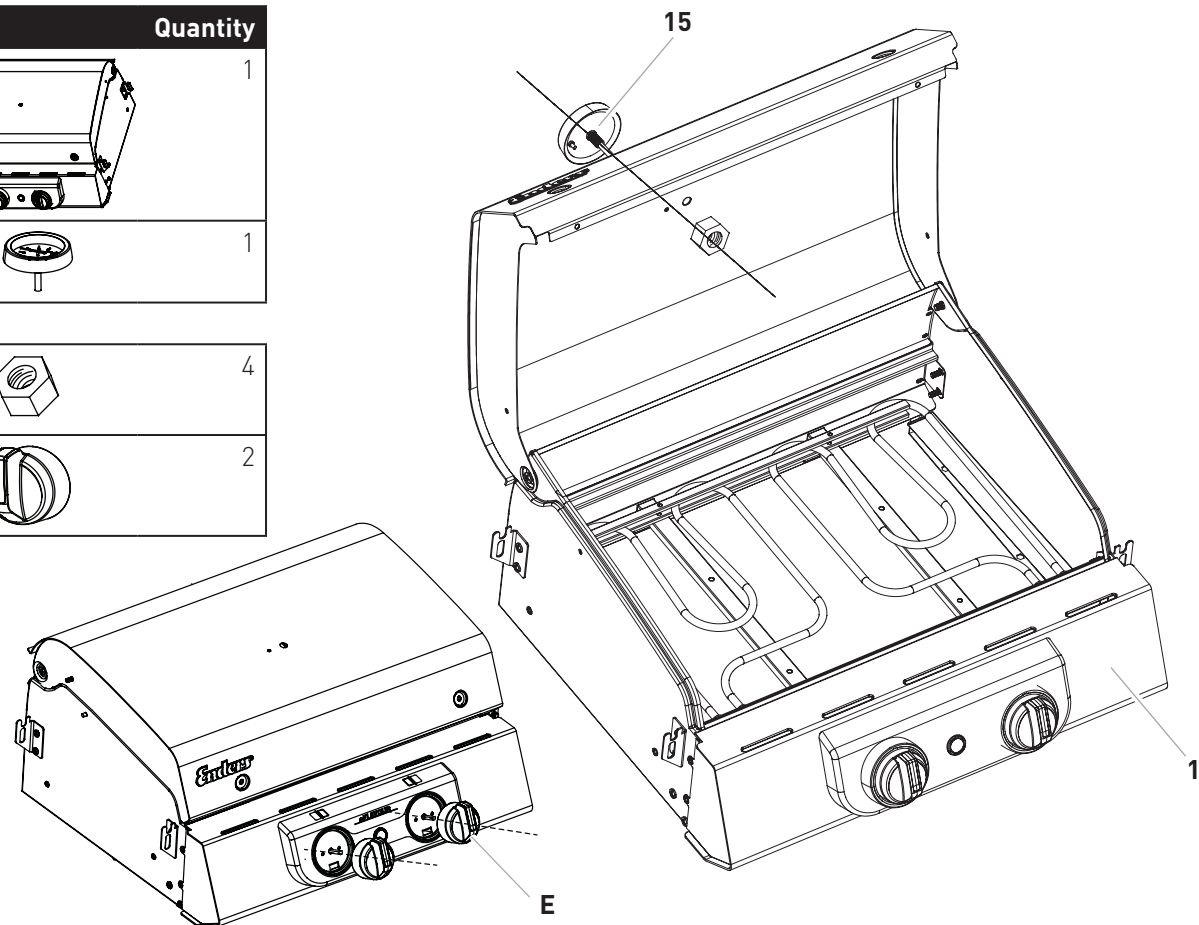
No.	Quantity
12	2
14	1

B	12
---	----



No.	Quantity
1	1
15	1

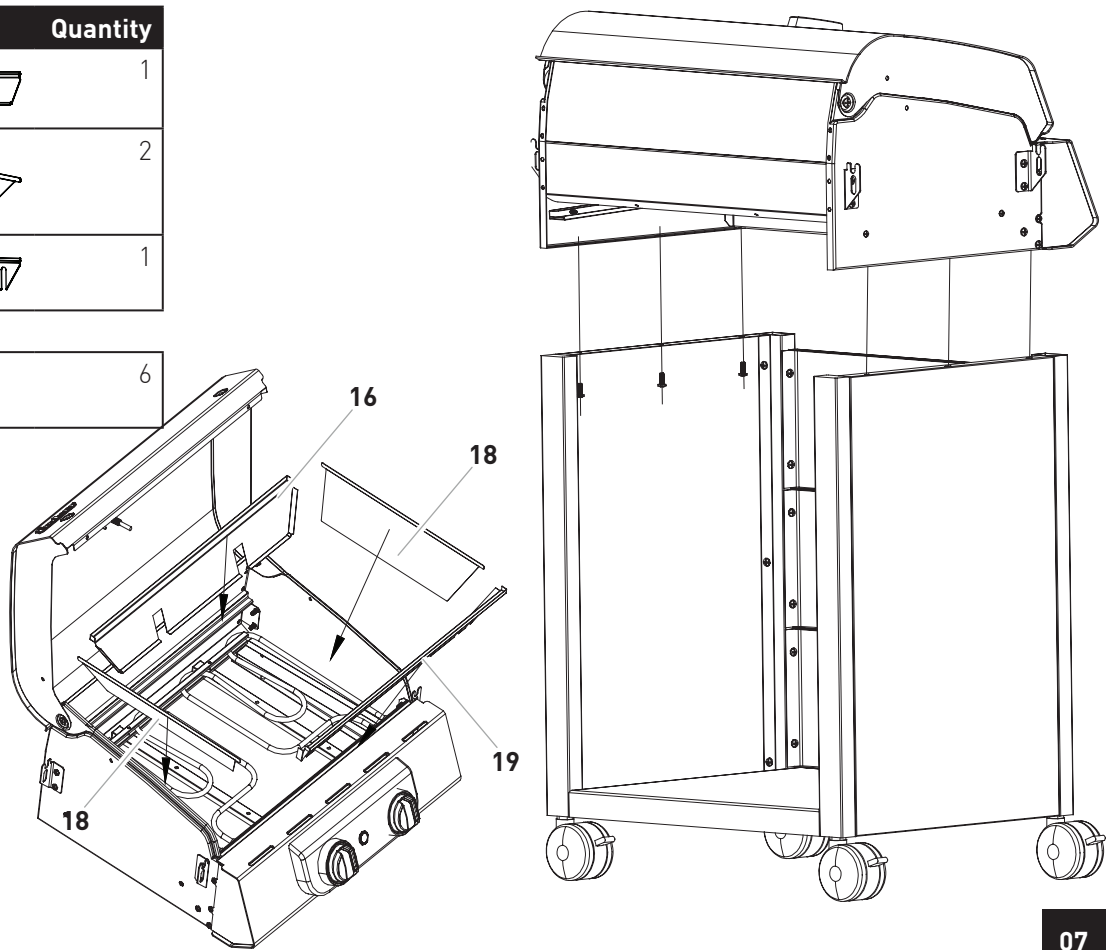
C	4
E	2



06

No.	Quantity
16	1
18	2
19	1

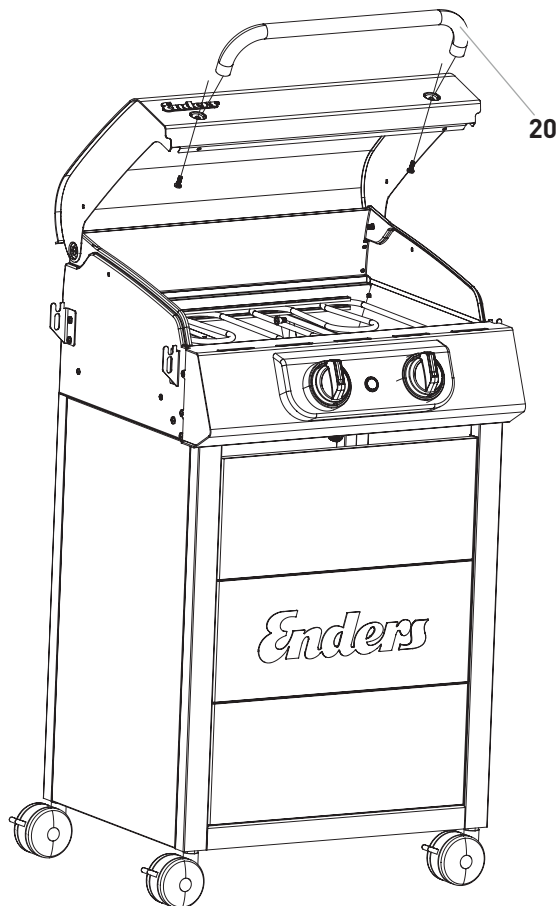
B	6
---	---



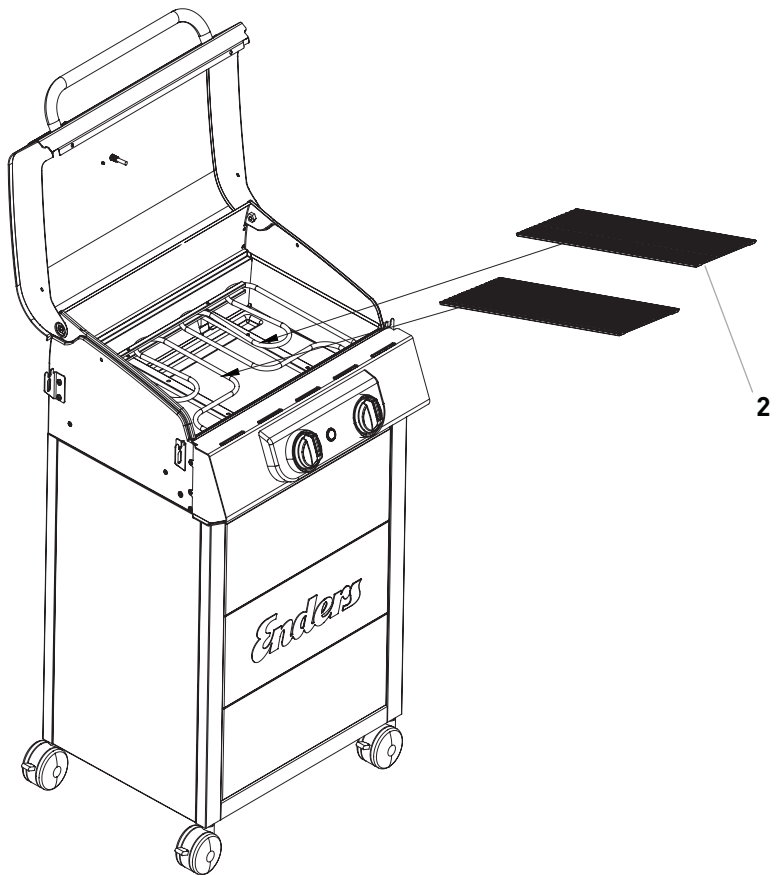
07

No.	Quantity
20	1

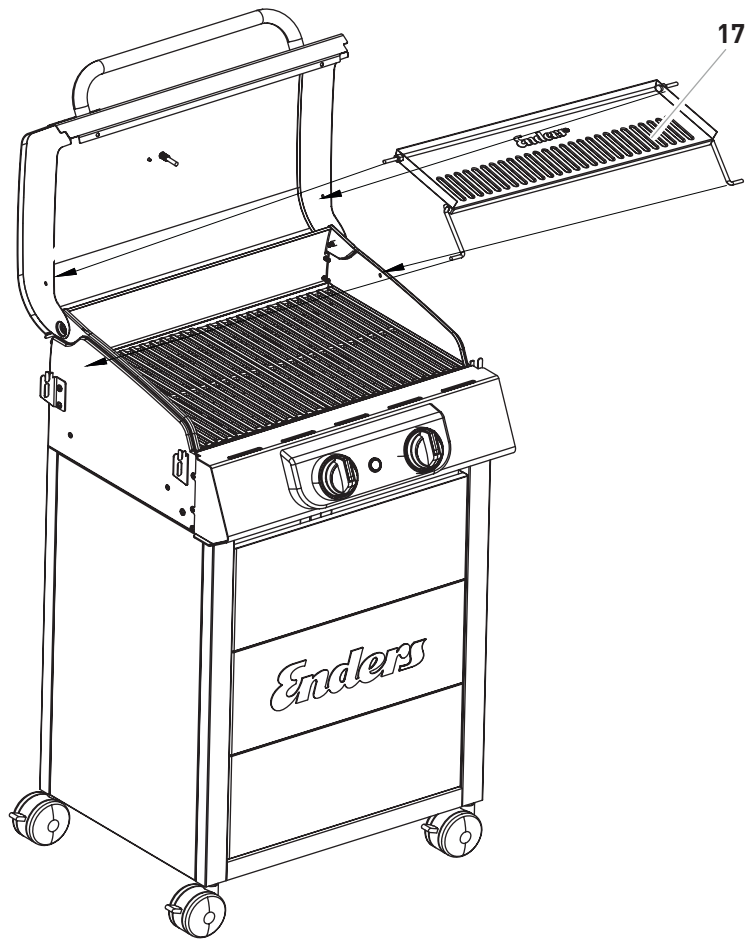
B	2
---	---



No.	Quantity
2	2

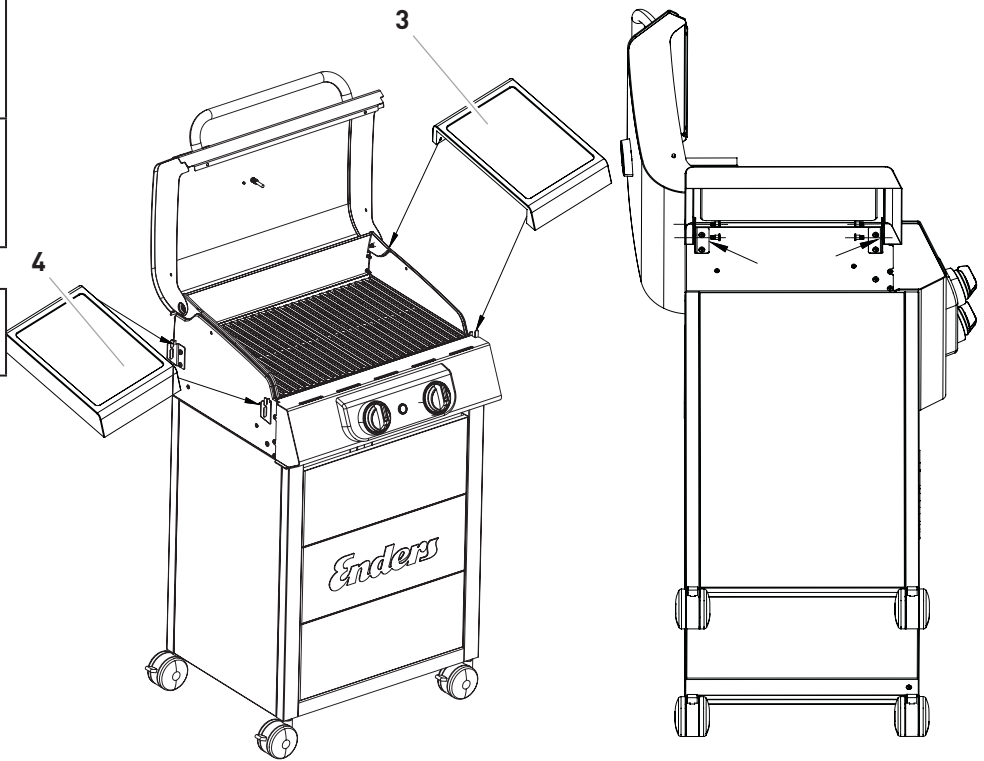


No.	Quantity
17	1

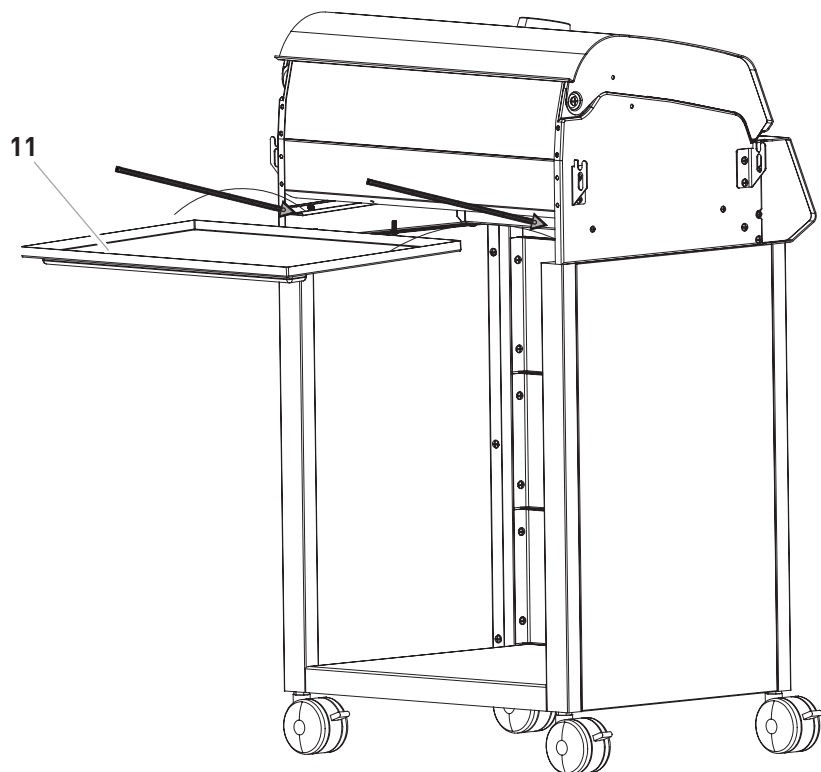


No.	Quantity
3	1
4	1
A	8

**CAUTION:** Please ensure that the side shelf is mounted correctly, otherwise it may fall unexpectedly and cause injury.



No.	Quantity
11	1



## SPARE PARTS

Ersatzteile/Pièces de rechange/ Pezzi di ricambio/ Piezas de repuesto/ Reserveonderdelen/ Náhradní díly/  
Pótkatrészek/ Rezervni dijelovi/ Piese de schimb/ Reservdelar/ Części zamienne/ Nadomestni deli/  
Reserverder/ Varaosat/ Atsarginės dalys/ Rezerves daļas/ Auka hlutir



## SPARE PARTS LIST

No.	Description	Item no.
1	Hood	130020000
1.1	Grillbox	130020001
2	Grill grid	130020002
3	Side shelf right	130020003
4	Side shelf left	
5	Side wall	130020004
6	Leg set	130020005
7		
8		
9		
10	Bottom panel	130020006
11	Grease tray	130020007
12	Front panel	130020008
13	Wheel with lock	130020009
14	Front panel with Logo	130020010
15	Thermometer	130020011
16	Simple clean set	130020012
17	Warming grate	130020013
18	Simple clean set	130020012
19	Simple clean set	
20	Hood handle	130020014

A	Axle bolt	130020015
B	Screw	
C	Nut	
D	Open-end spanner	130020017
E	Control knob	

Versions no.: 221110



# NOTICE





**Enders Colsman AG**

Brauck 1

D-58791 Werdohl, Germany

Tel +49 (0) 2392 - 9782 30