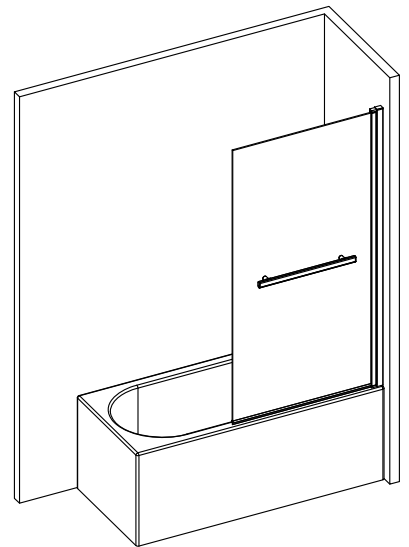
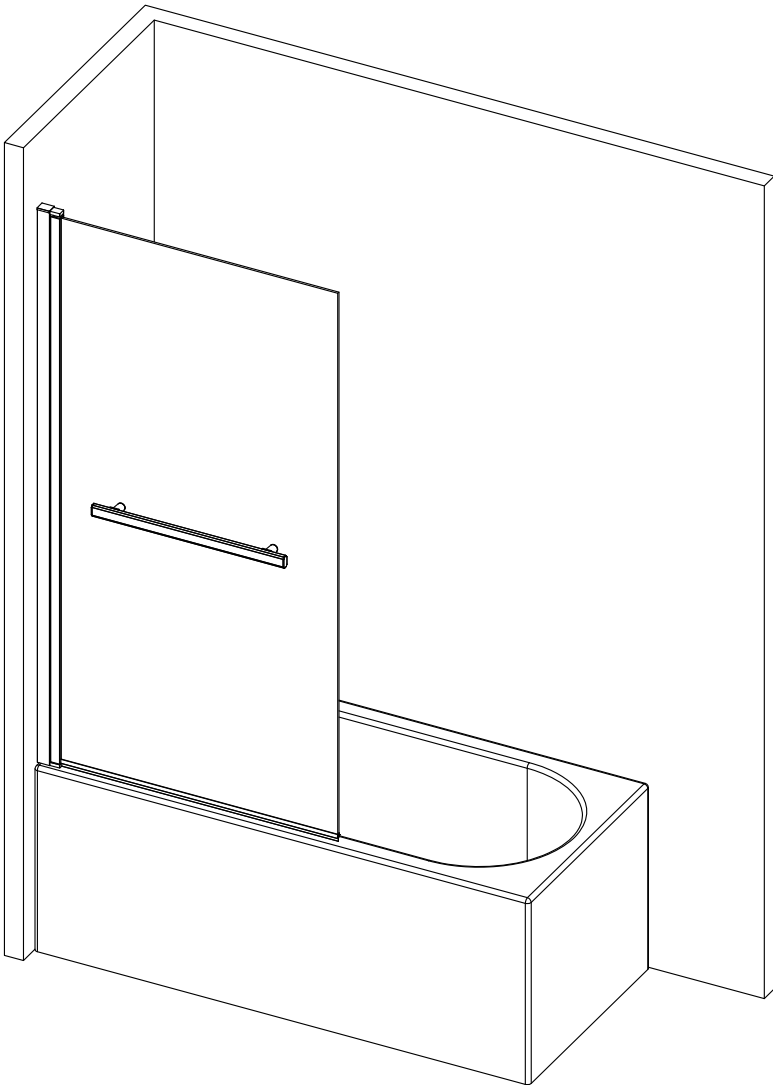
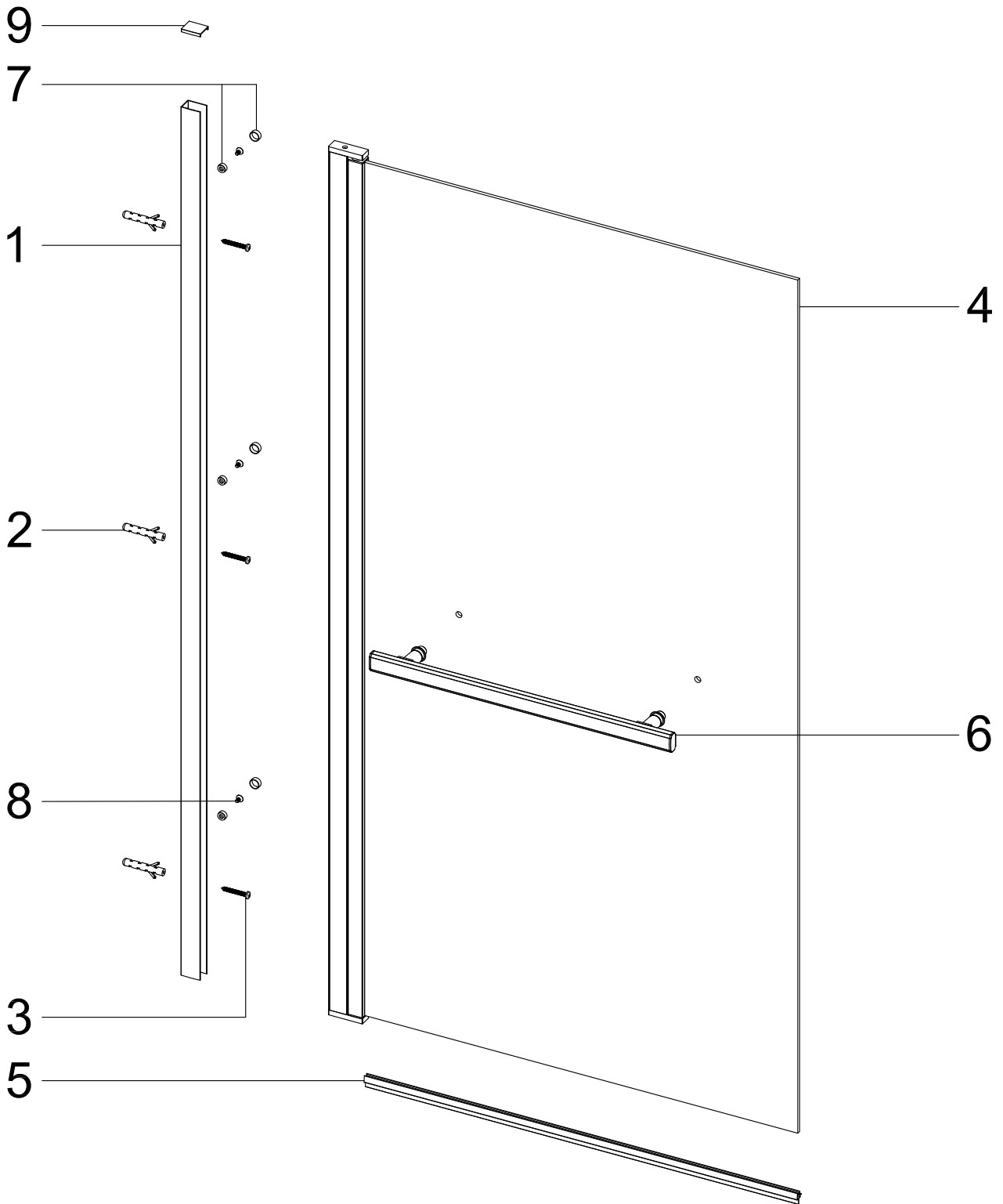
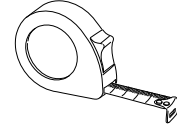
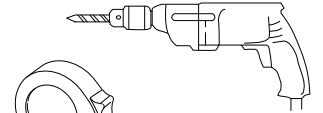
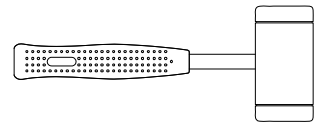
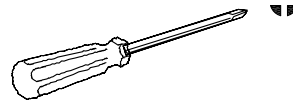
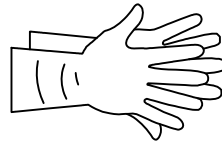
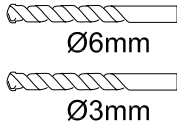
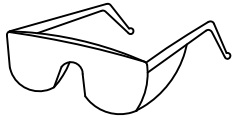
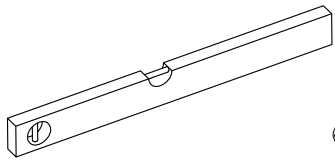
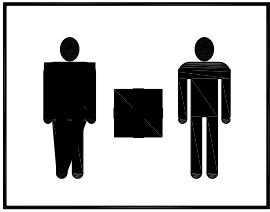


V1

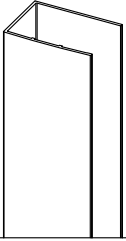
FAC274





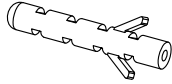


1 FAC 274M



X1

2 AURL 989



X3

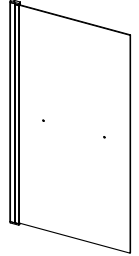
3 AURL 990



ST3.9X35

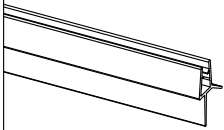
X3

4



X1

5 AURL 1002



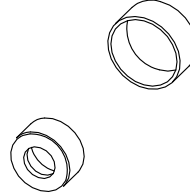
X1

6 AURL 1005



X1

7 AURL 1006



X3

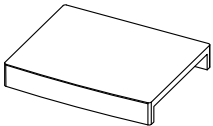
8 AURL 972



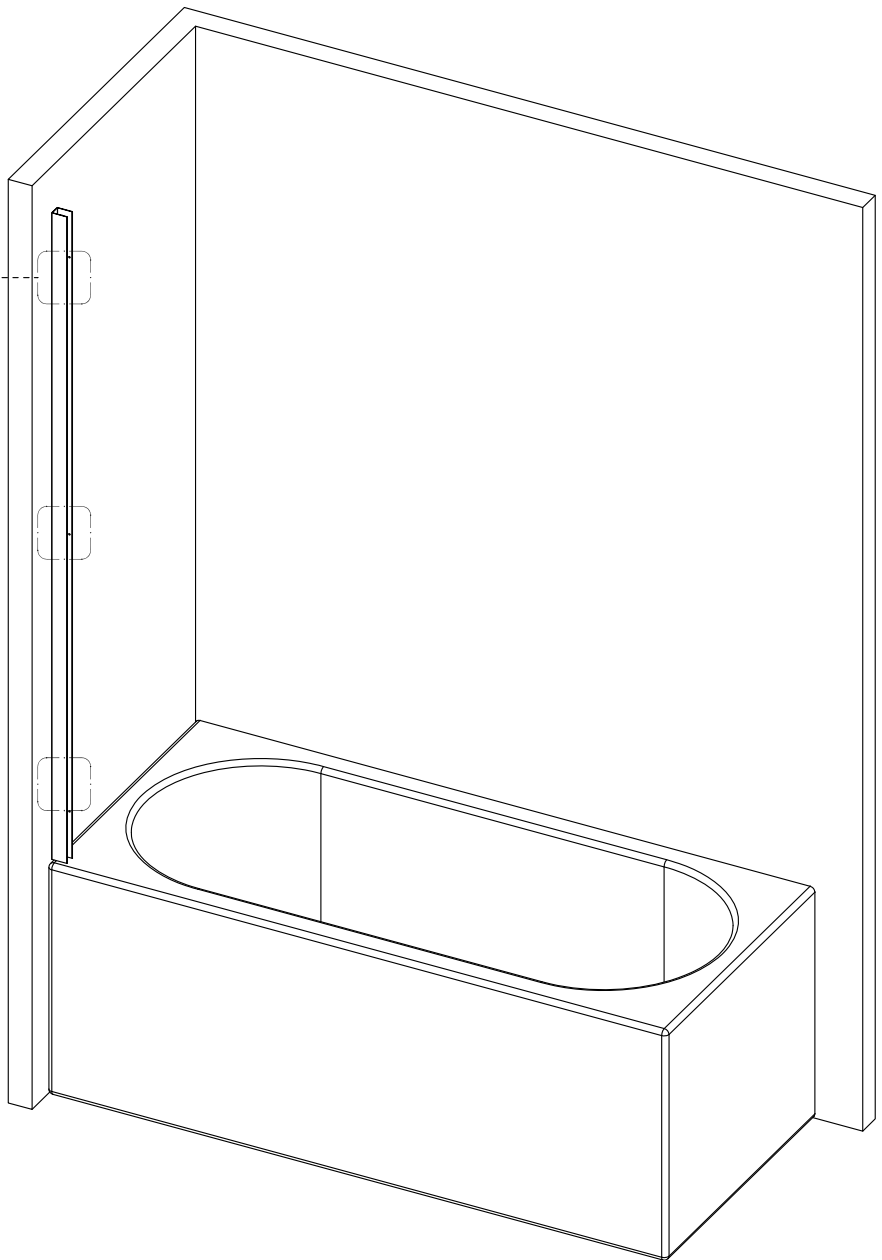
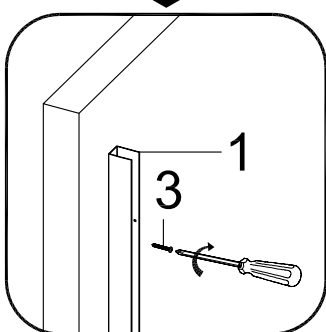
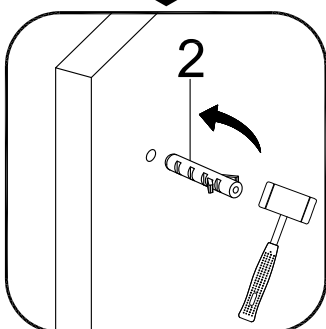
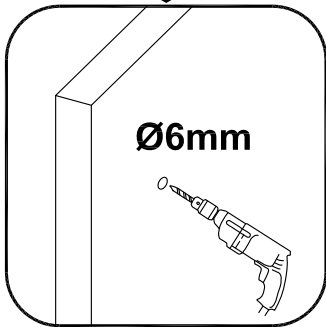
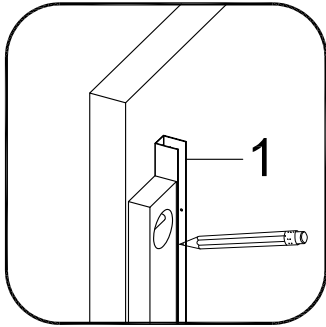
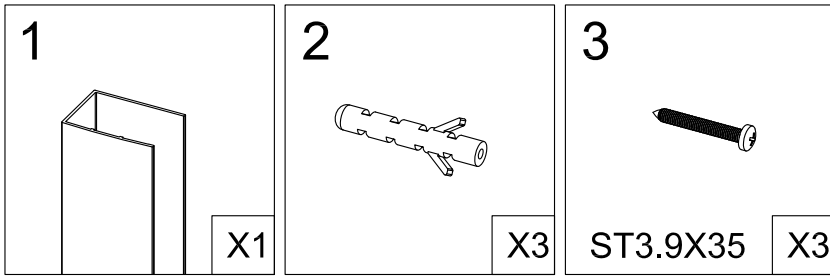
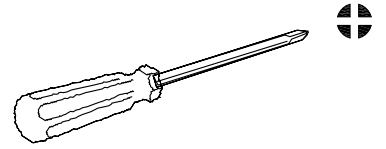
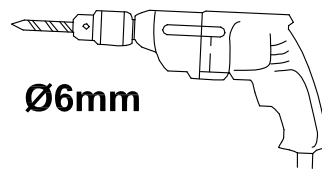
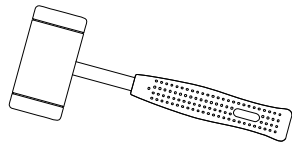
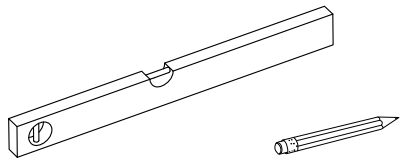
ST4X10

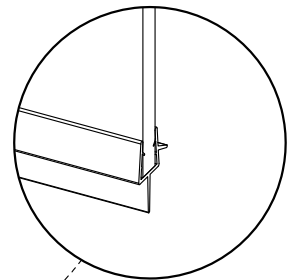
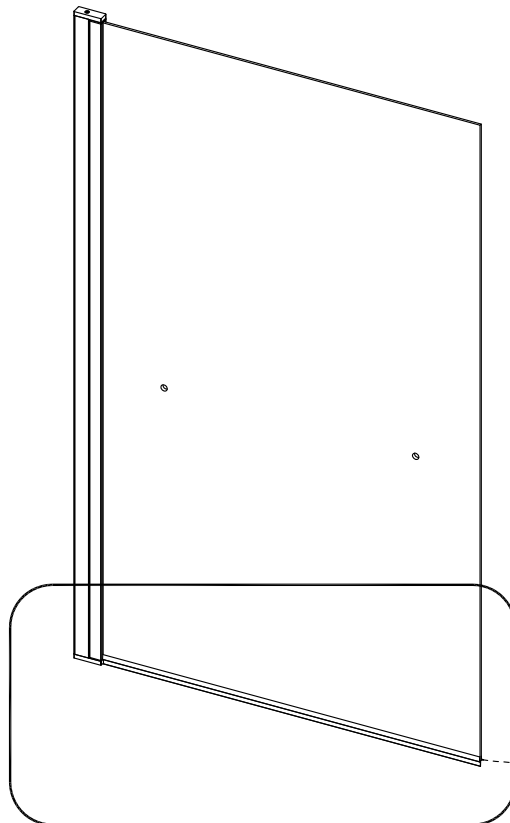
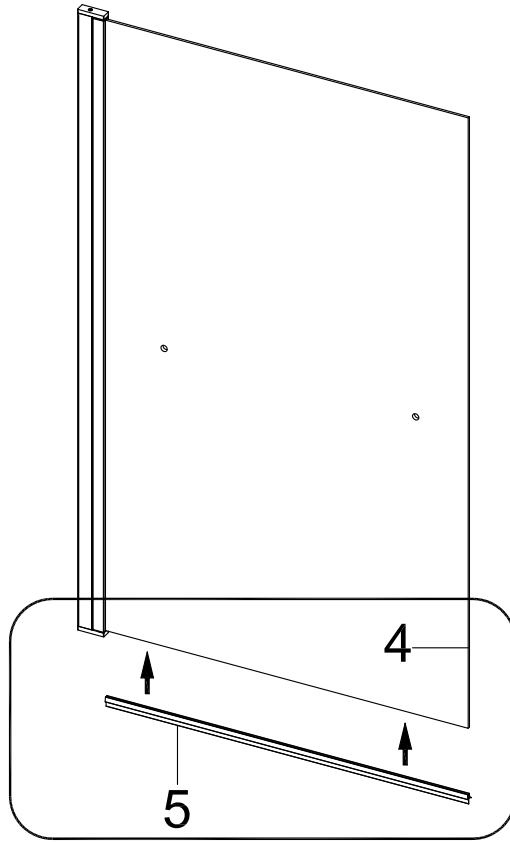
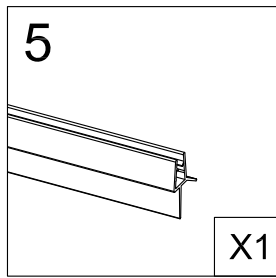
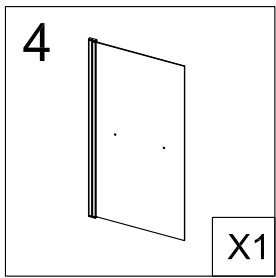
X3

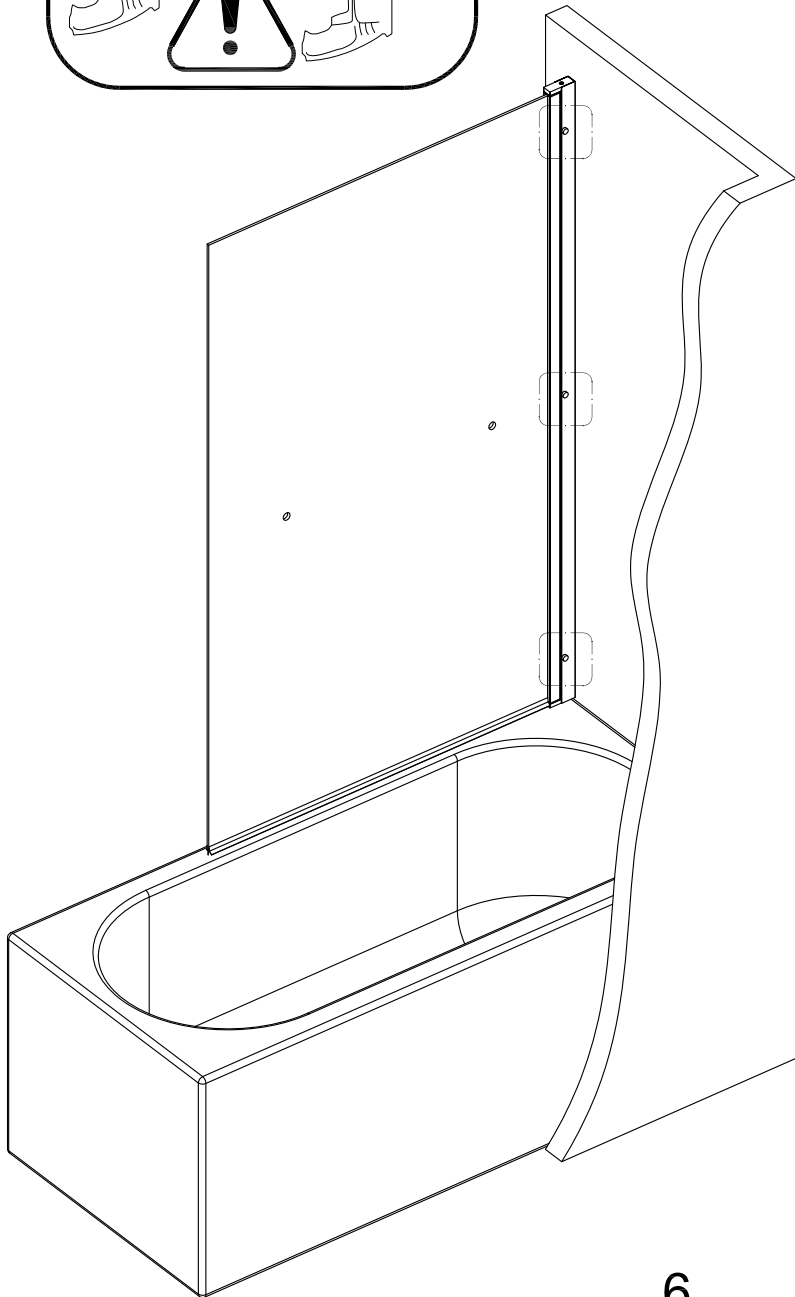
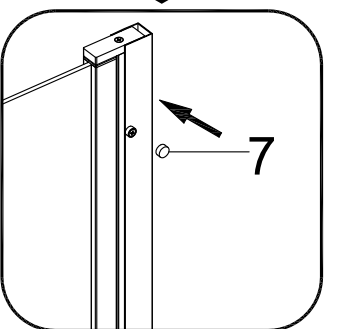
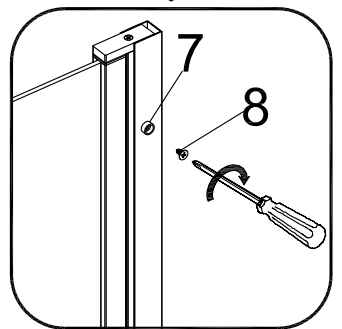
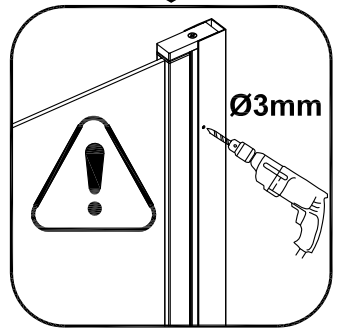
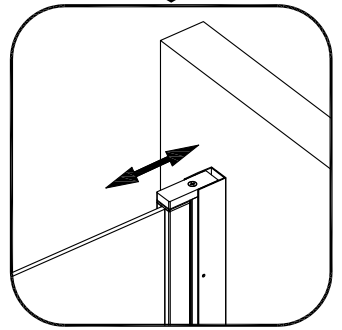
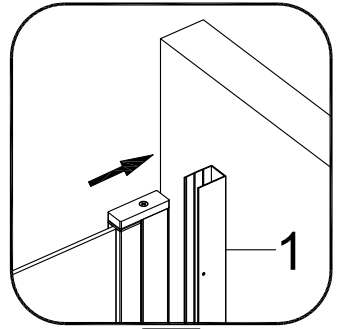
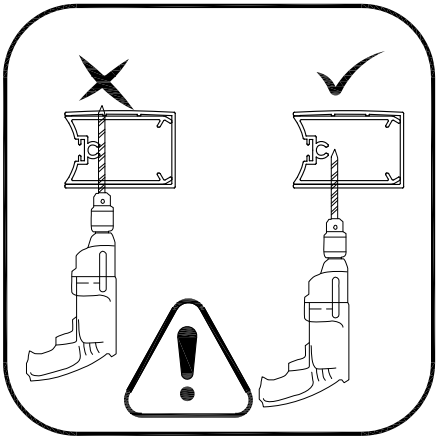
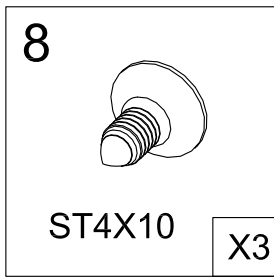
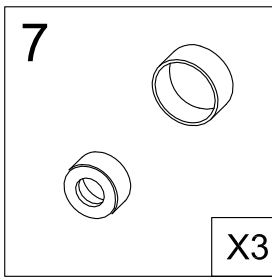
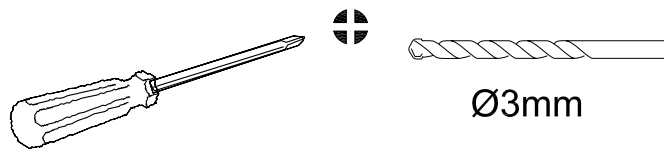
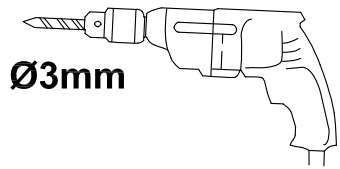
9 AURL 1007

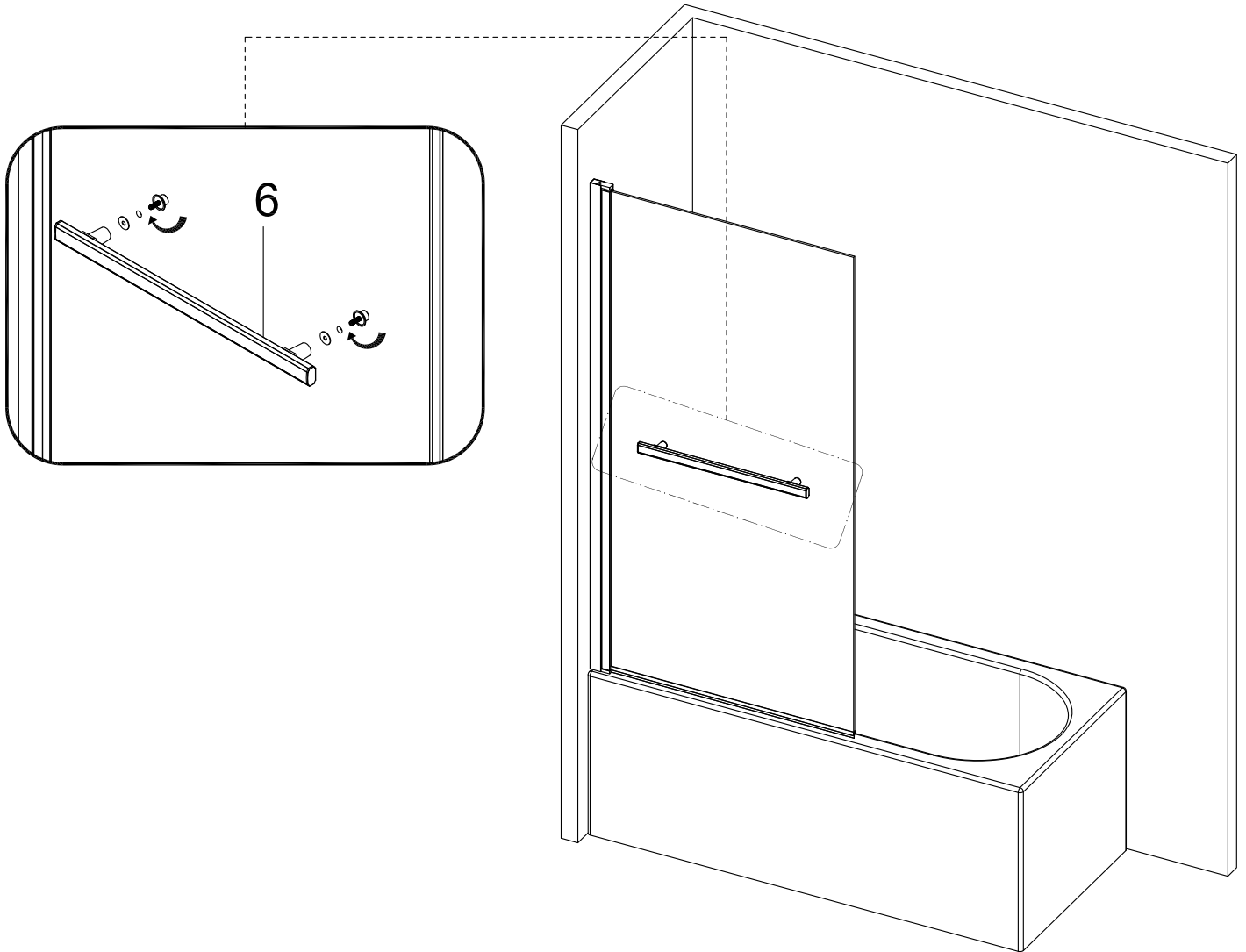
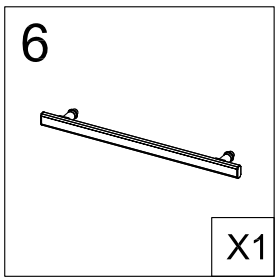


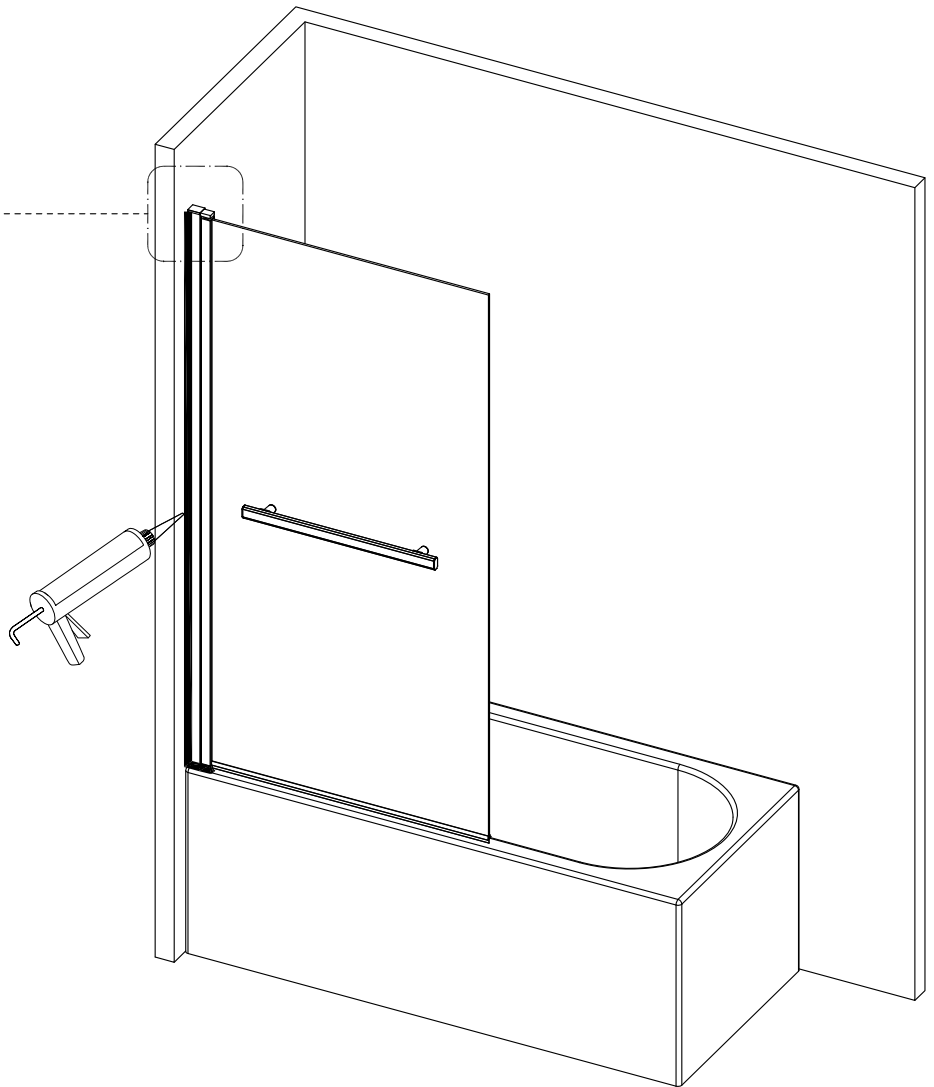
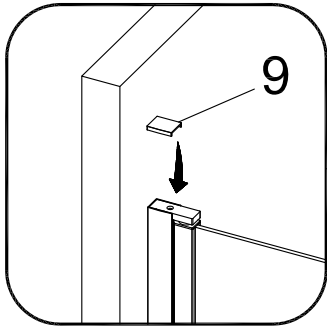
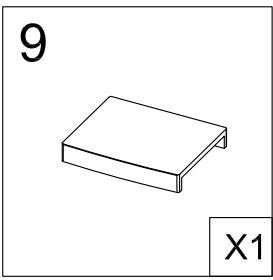
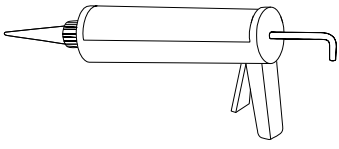
X1











DECLARATION OF PERFORMANCE

N o DoP_06/2020 Shower enclosures & Bath screens

1. Identification code of the product-type: Shower enclosures manufactured from Glass, Aluminium

By extension, this declaration of performance applies to the products specified in the annex.

2. Intended use(s) Shower enclosures for domestic purposes (Personal Hygiene)

3. Manufacturer: AURLANE DEUTSCHLAND GMBH, RÖGEN 52, 23843 BAD OLDESLOE

4. Agent: .Not applicable

5. System(s) for assessing and verifying constancy of performance: System 4

6a. Harmonised standard: EN14428:2015

Bodies notified: Not applicable

6b. European assessment document Not applicable

European technical assessment Not applicable

Technical assessment body Not applicable

Bodies notified Not applicable

7. Declared performances

Essential characteristics	Performance	Harmonised technical specifications
Cleanability	PASS	EN14428:2015
Impact resistance/shatter properties	PASS	EN14428:2015
Durability	PASS	EN14428:2015

The performances of the product identified above are in accordance with the declared performances.

Pursuant to Regulation (EU) no 305/2011, this declaration of performances is provided under the sole liability of the manufacturer mentioned above.

Signed on behalf of the manufacturer by:

Philip Mahrtd
Managing Director of Aurlane Deutschland GmbH
Bad Oldesloe, 24/07/2020

