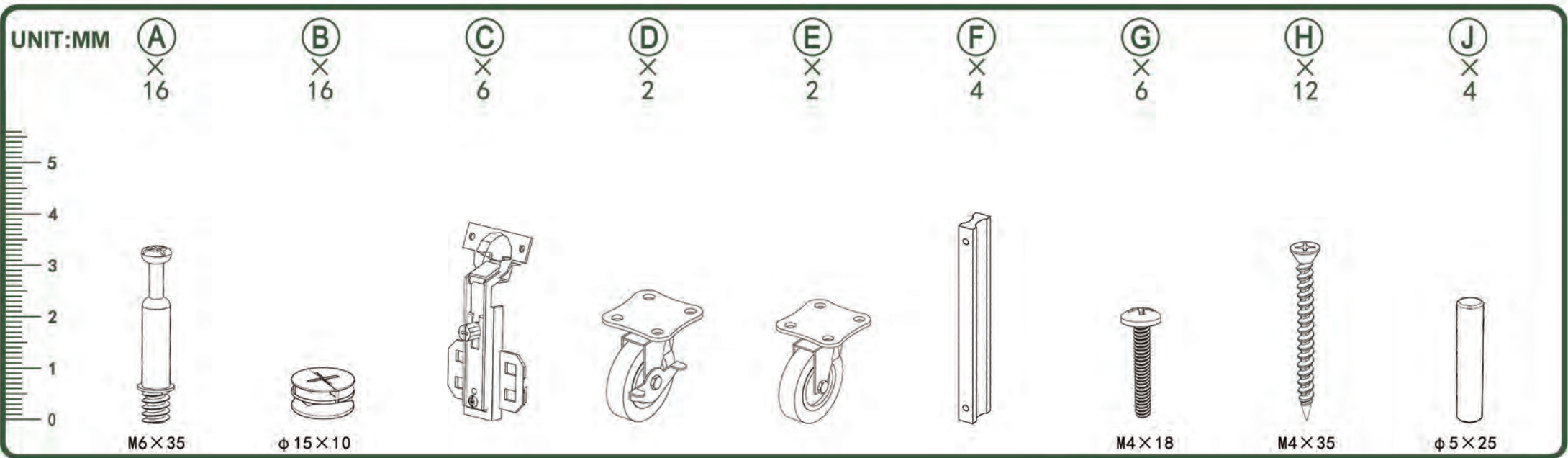
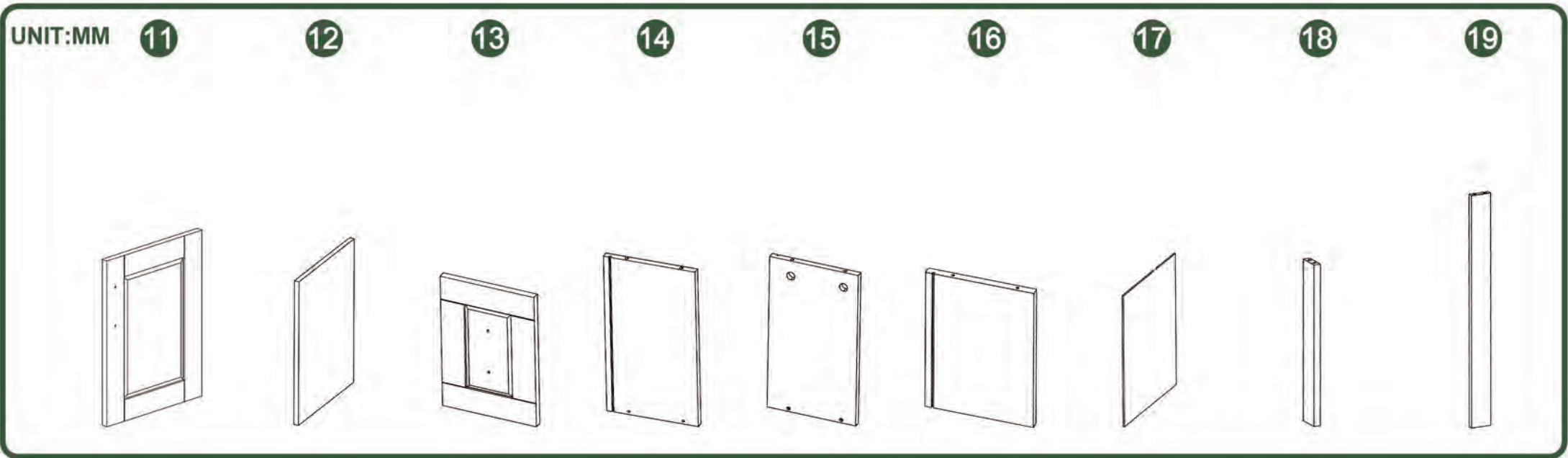
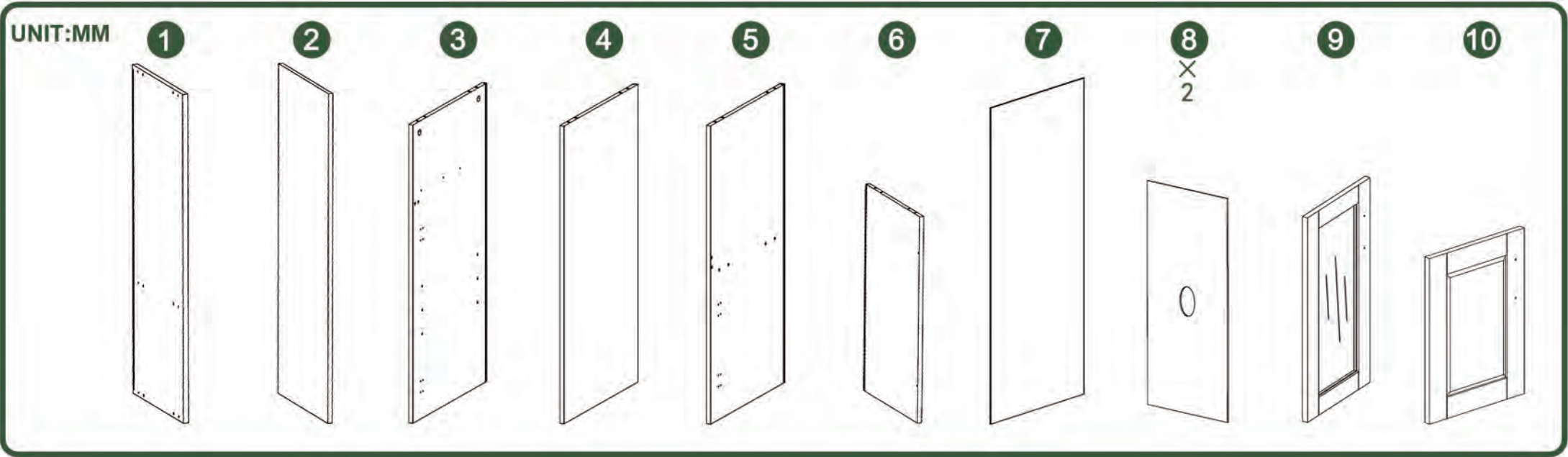
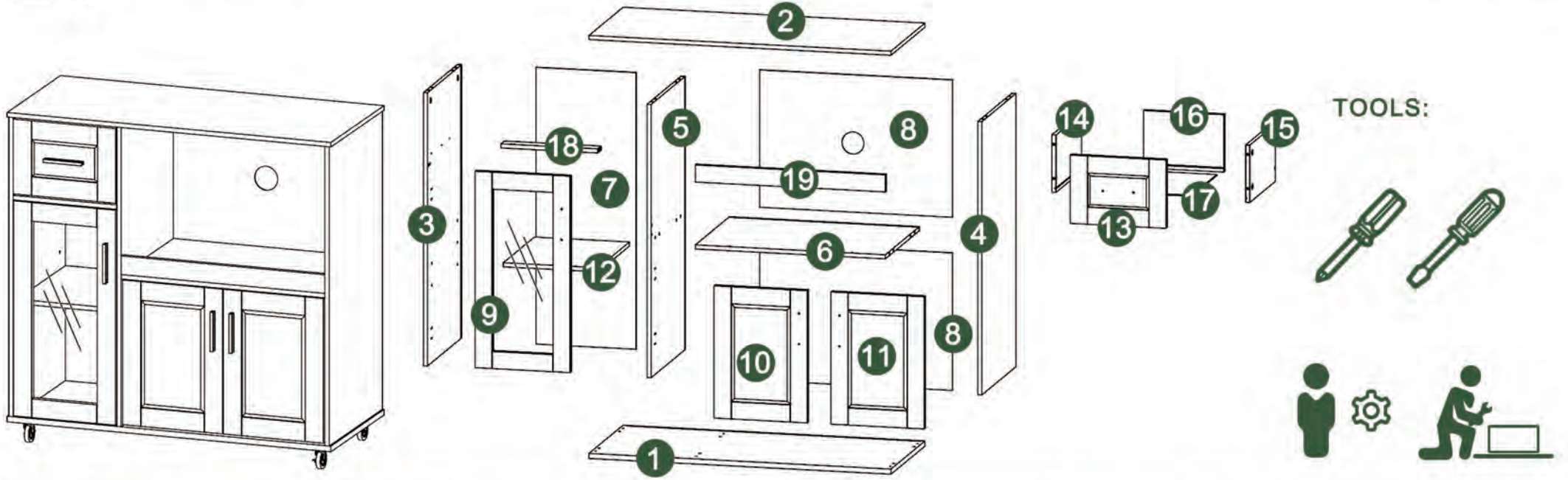




# FSB78

2022-02

## SoBuy



Stand:03.2023

UNIT:MM

CL	CR	DL	DR	L ×16	M ×16	N ×36	O ×22	P ×2	Q ×18	R ×18	S ×2
----	----	----	----	----------	----------	----------	----------	---------	----------	----------	---------

M3×12    M4×12    M4×14    φ6×30    M3×14    M4×12

**BOLT INSTALLATION AS BELOW:**

BOLT
Connecting piece

X

✓

Adjust connecting piece direction if condition as illustrated    Insert bolt when Connecting piece under Such condition

**A1.**

**A2.**

**A3.**

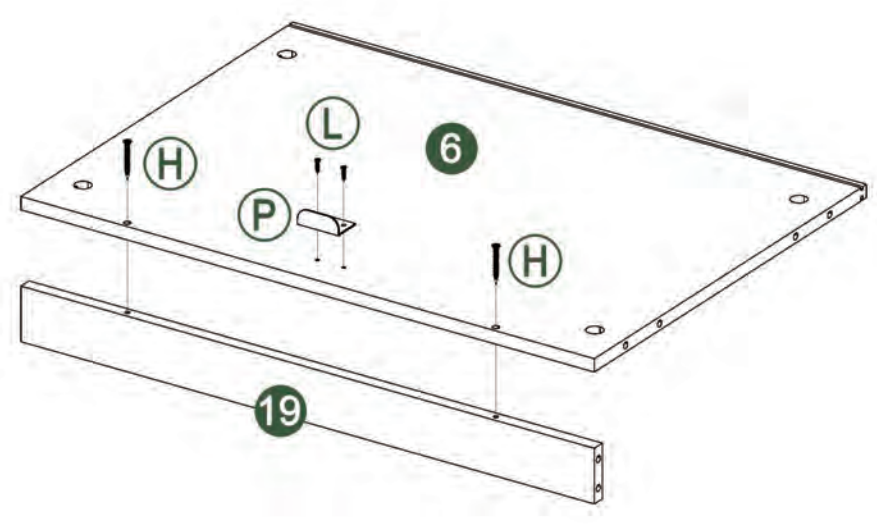
**A4.**

**BACKPLATE BUCKLE INSTALLATION AS BELOW:**

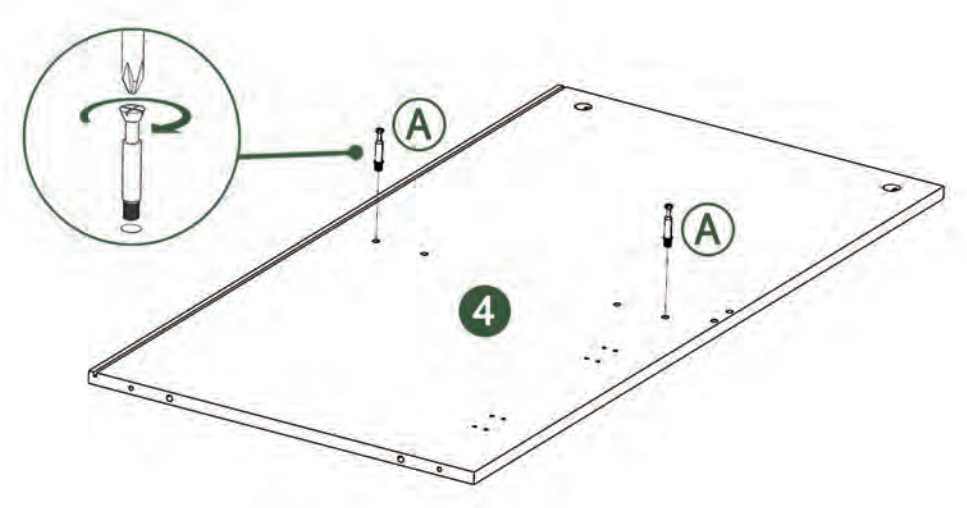
**B1.**

**B2.**

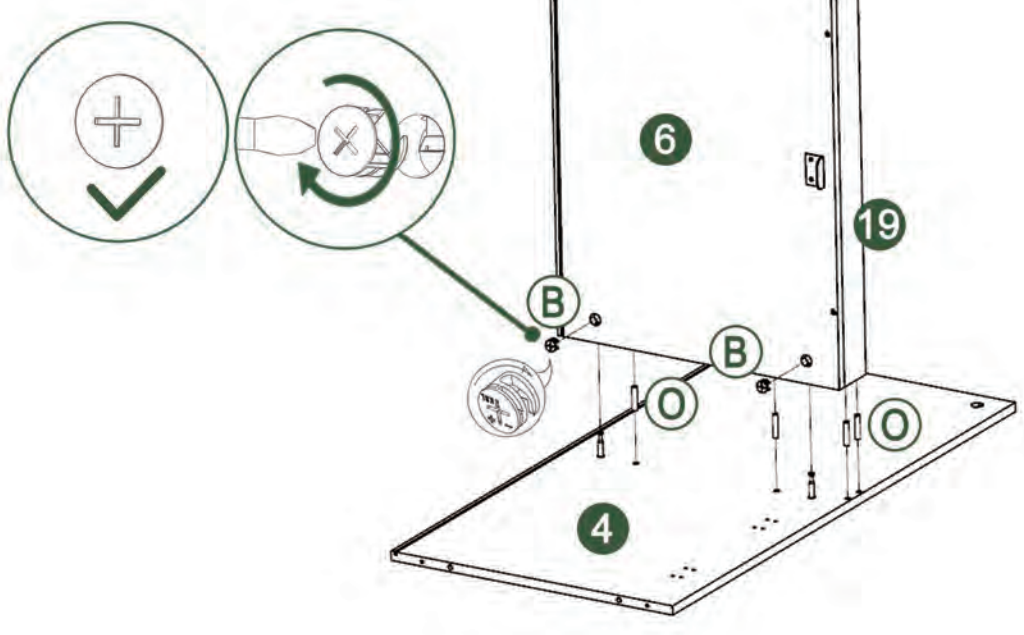
1.



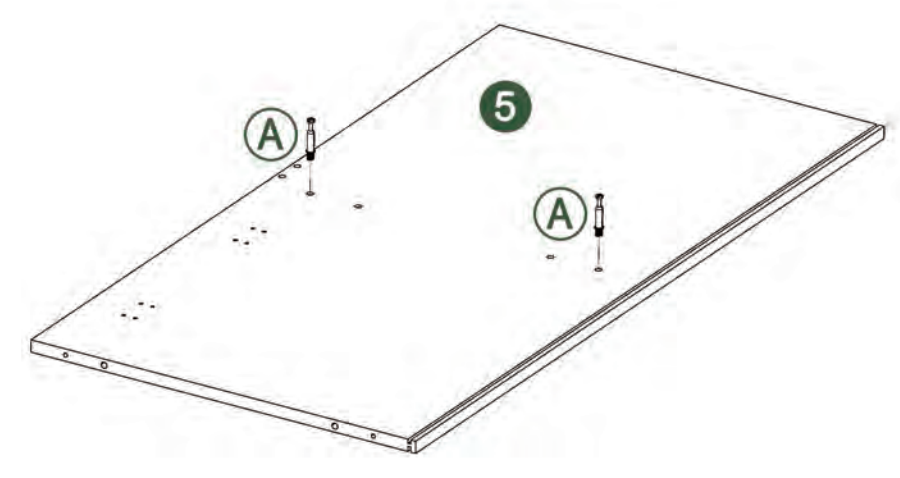
2.



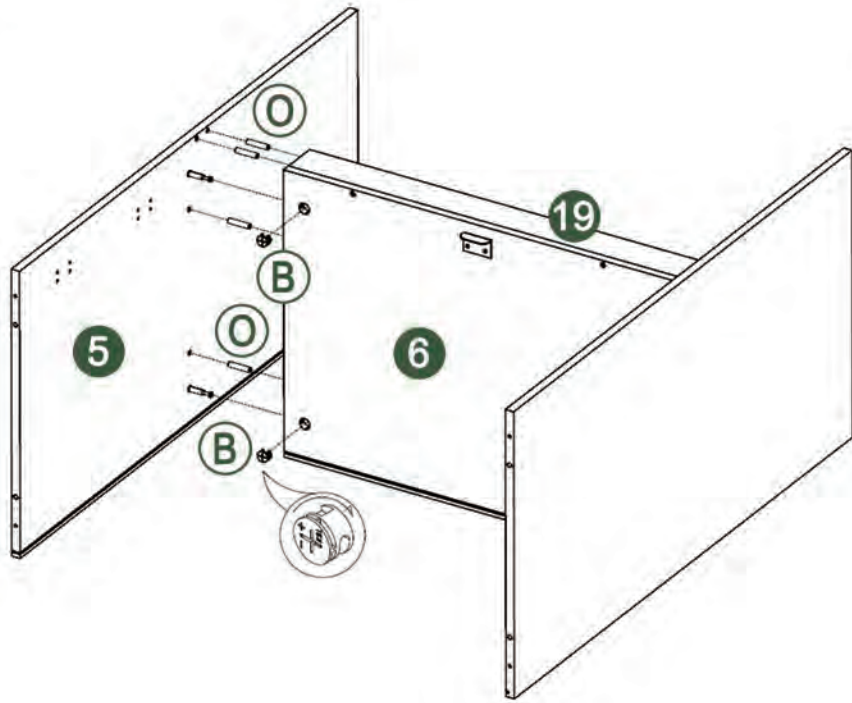
3.



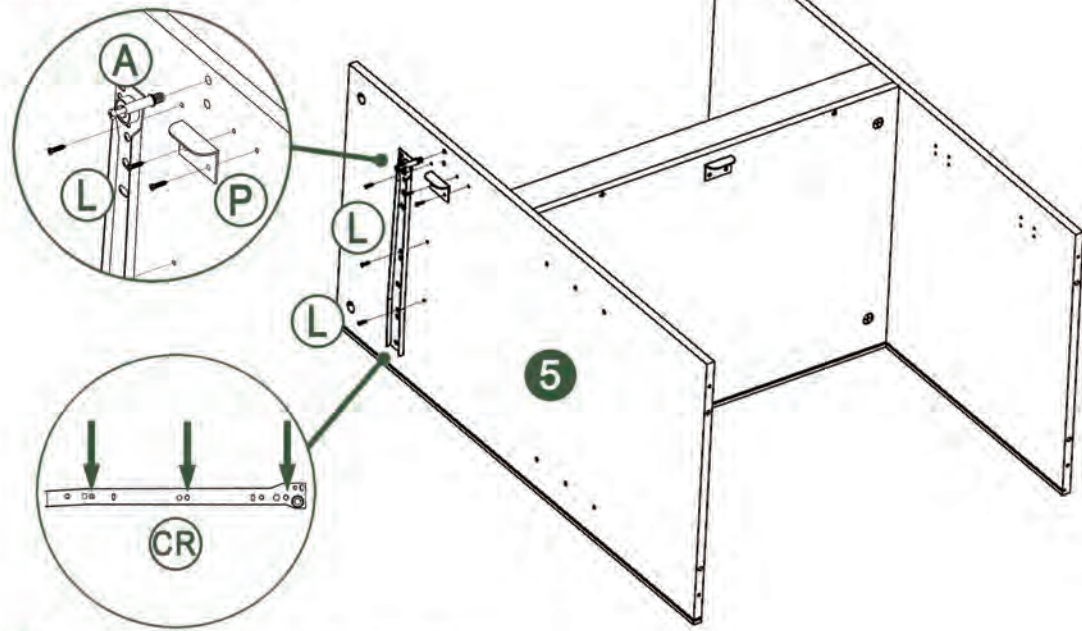
4.



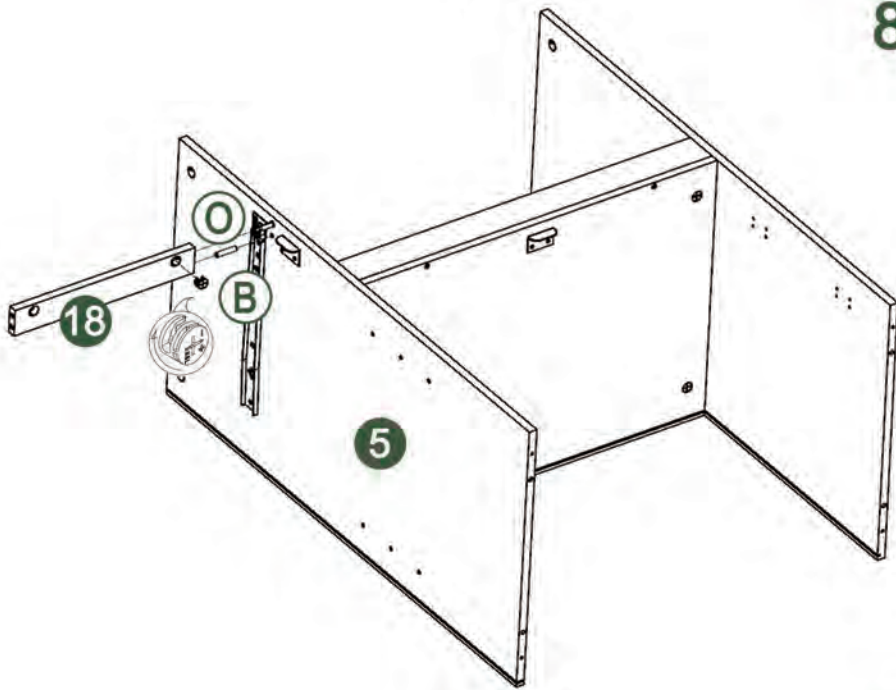
5.



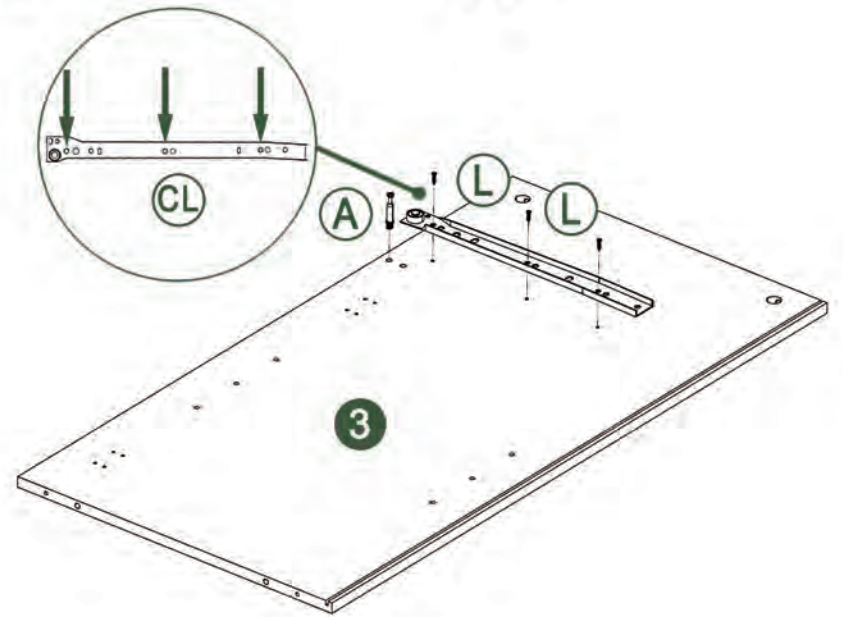
6.



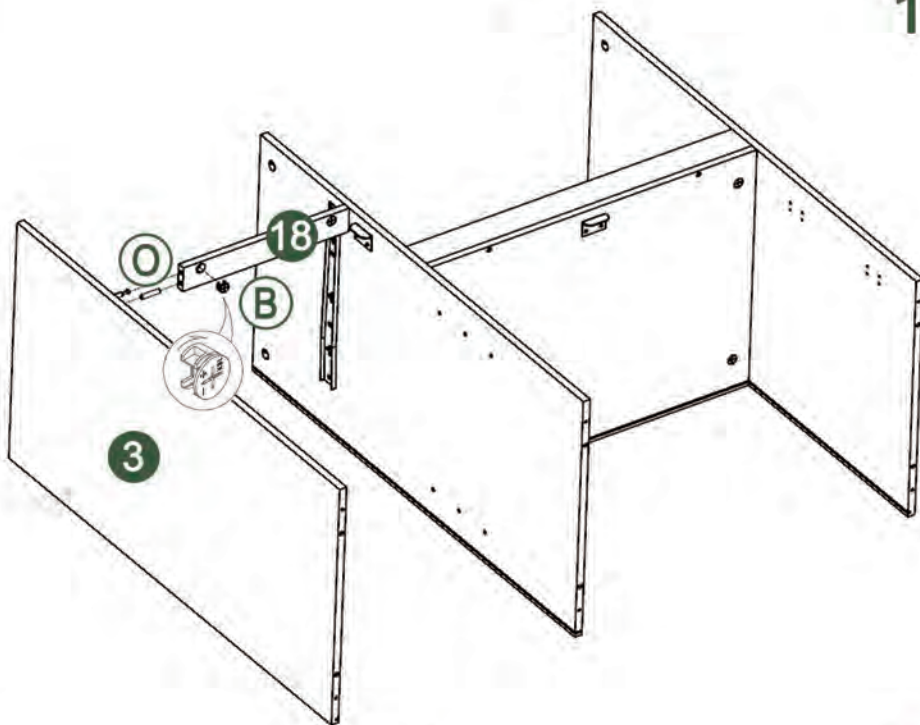
7.



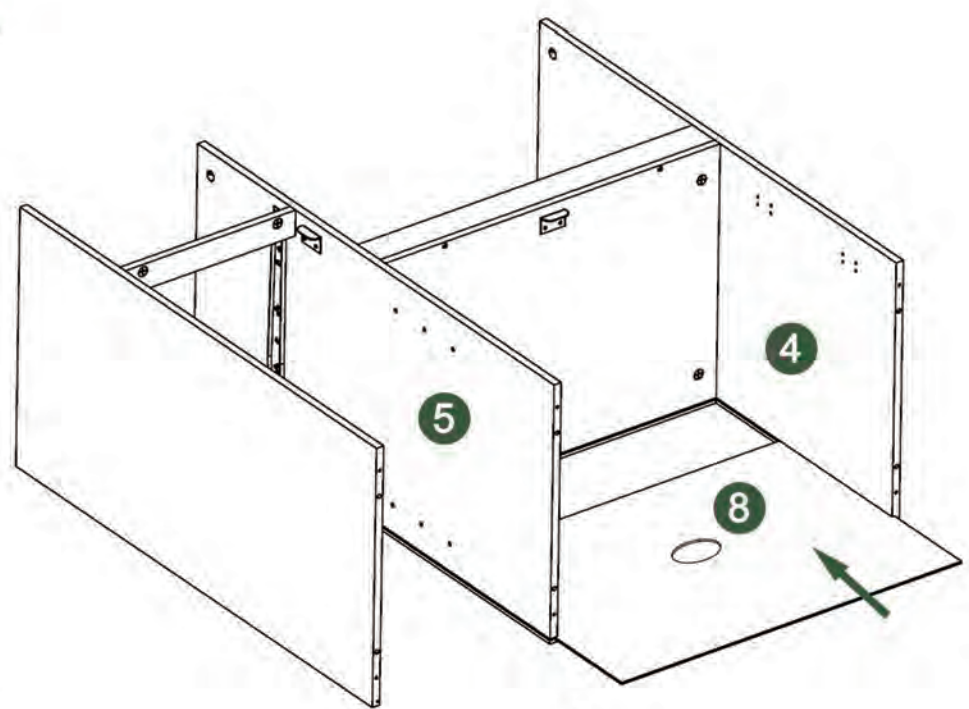
8.



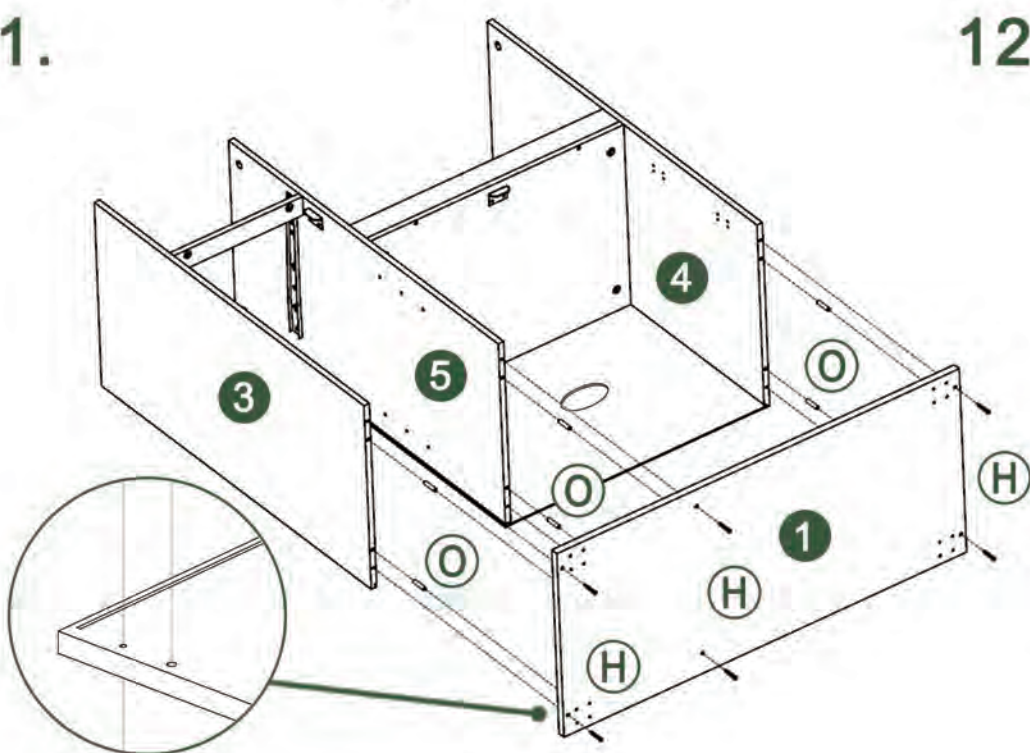
9.



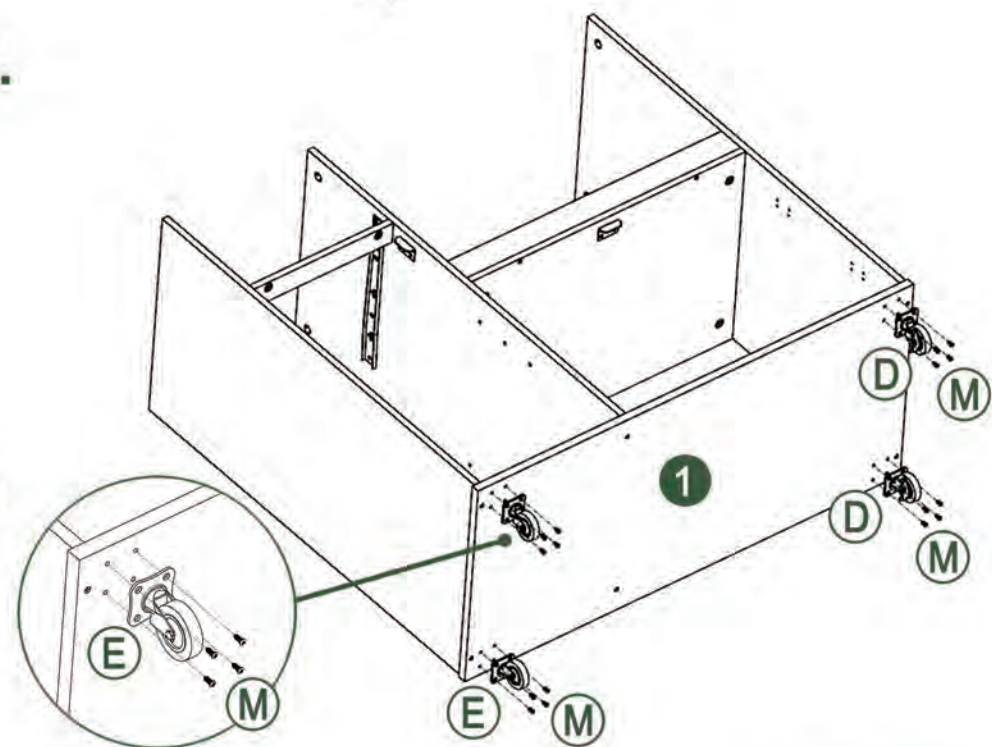
10.



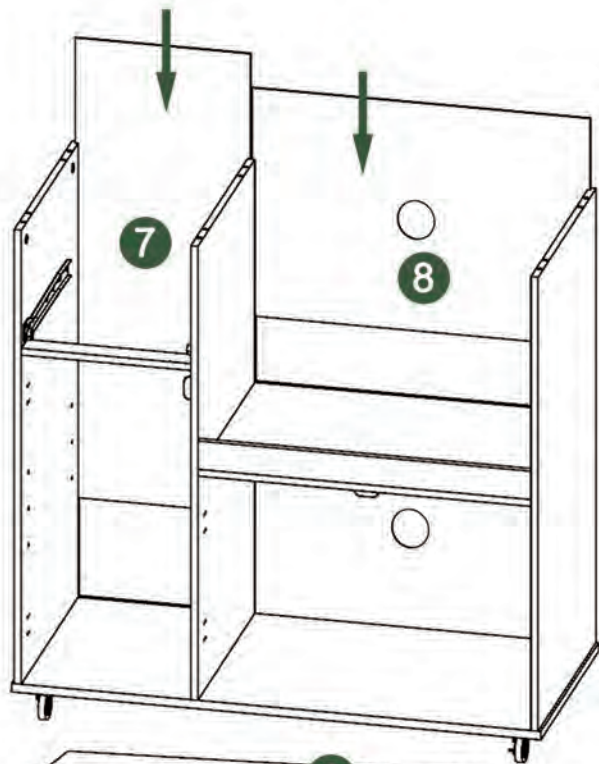
11.



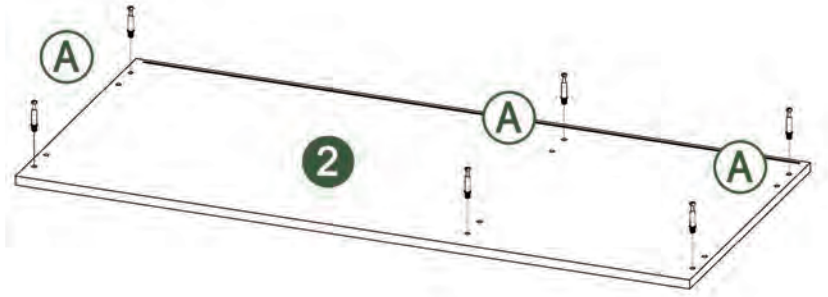
12.



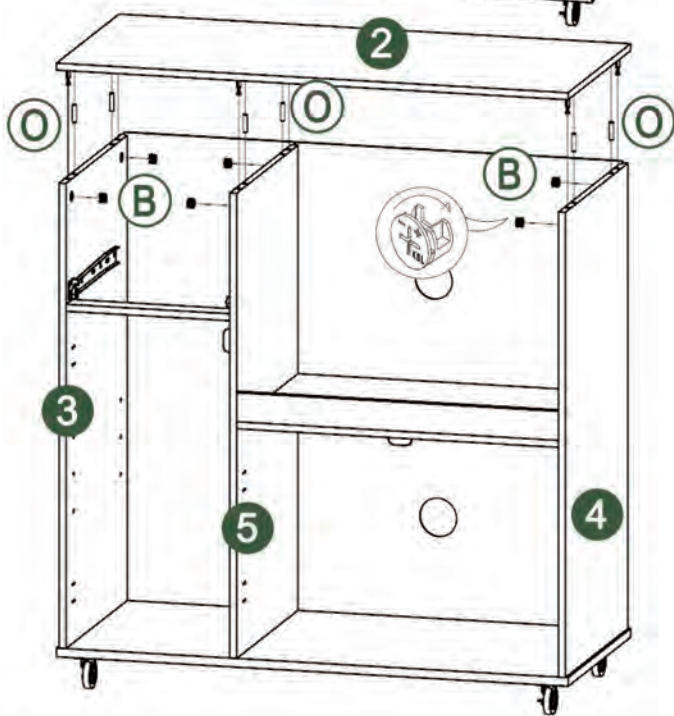
13.



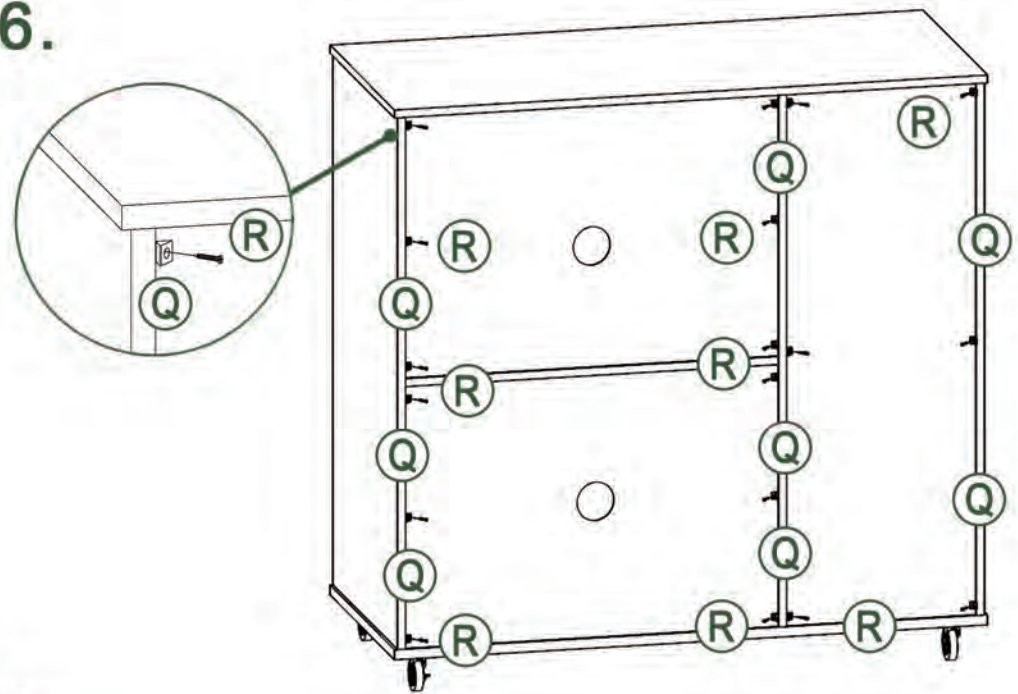
14.



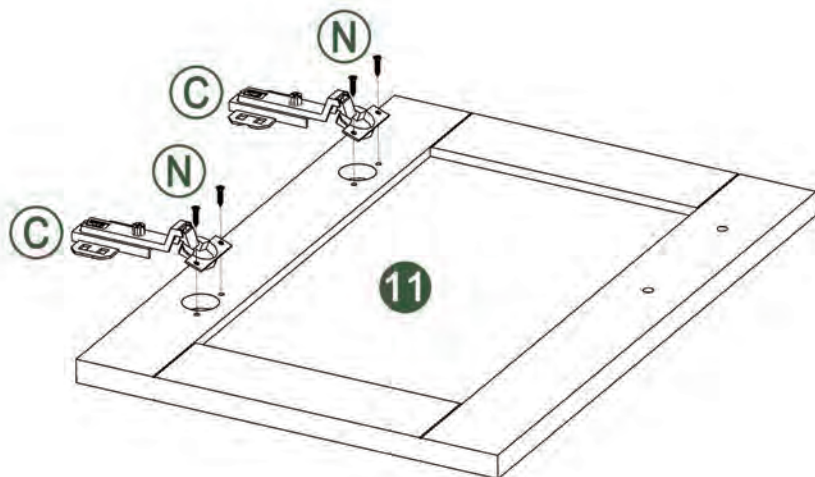
15.



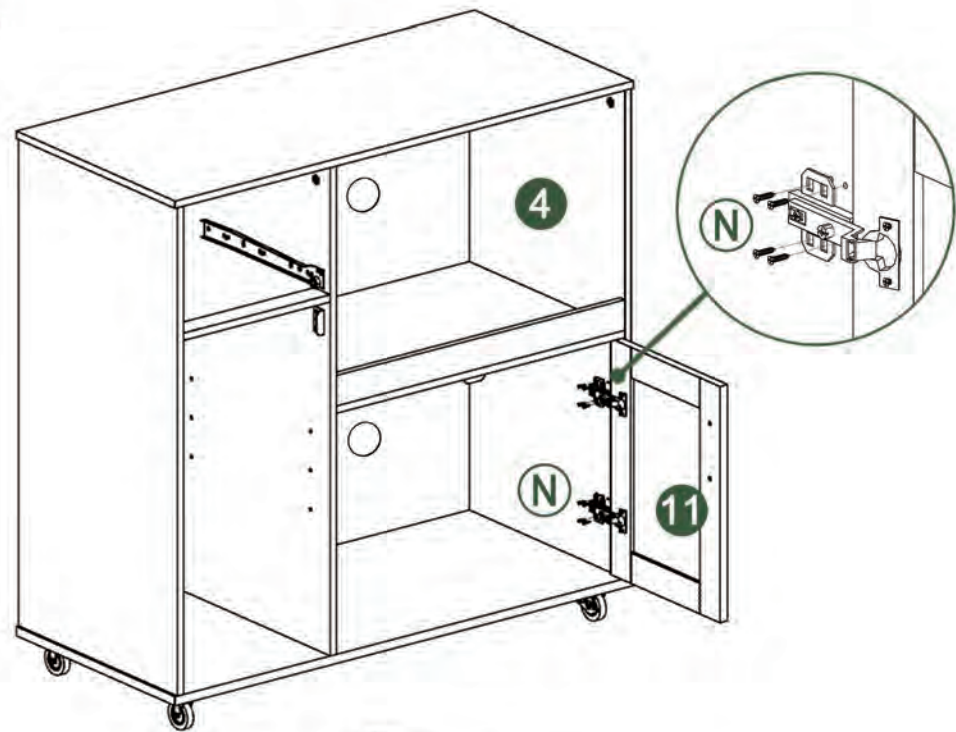
16.



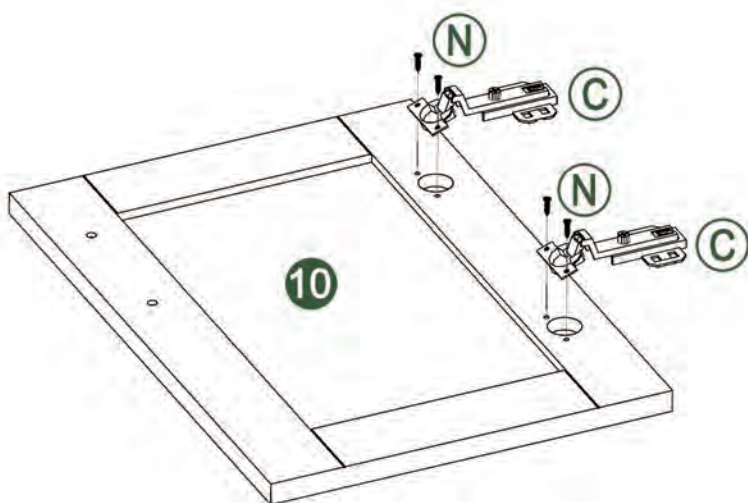
17.



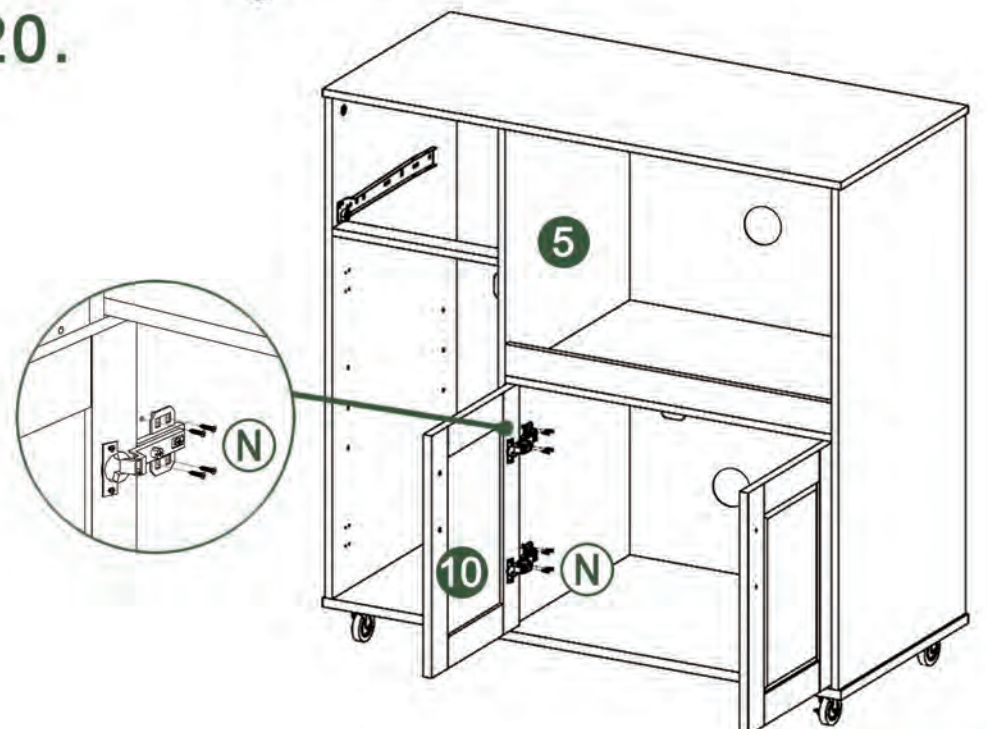
18.



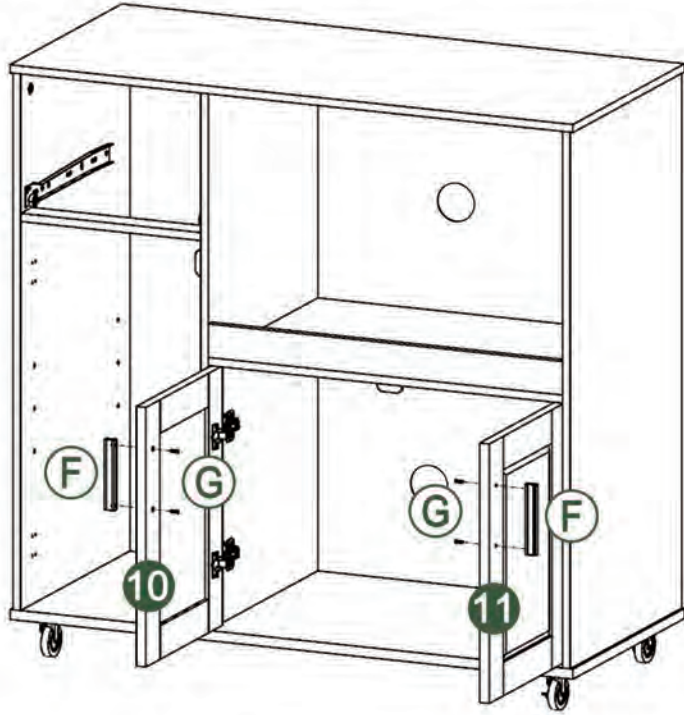
19.



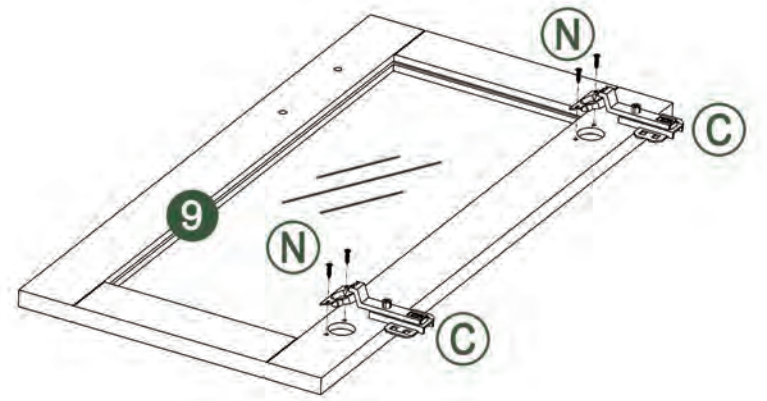
20.



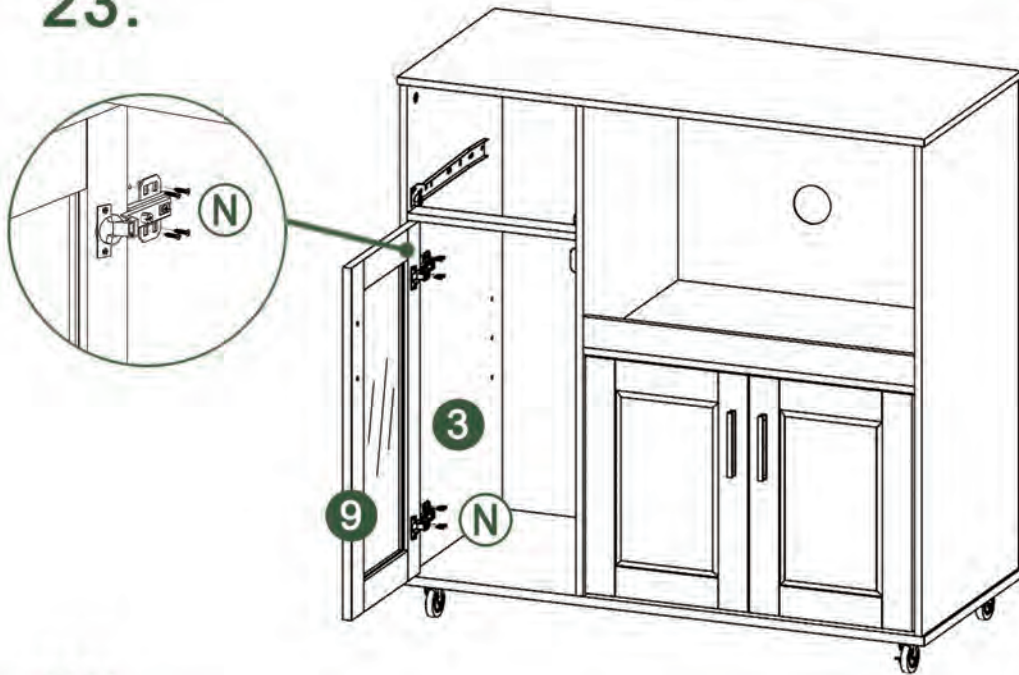
21.



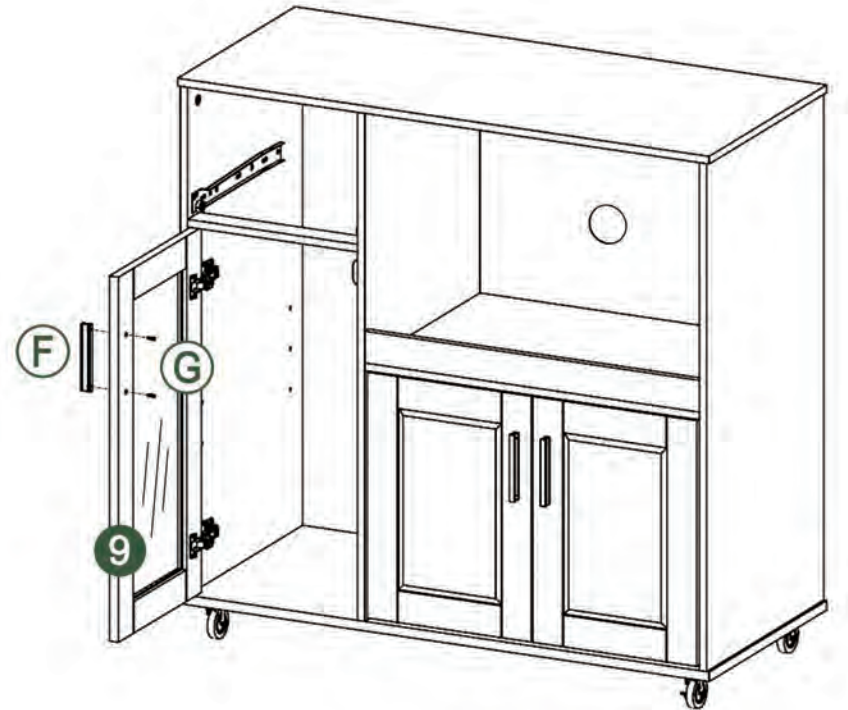
22.



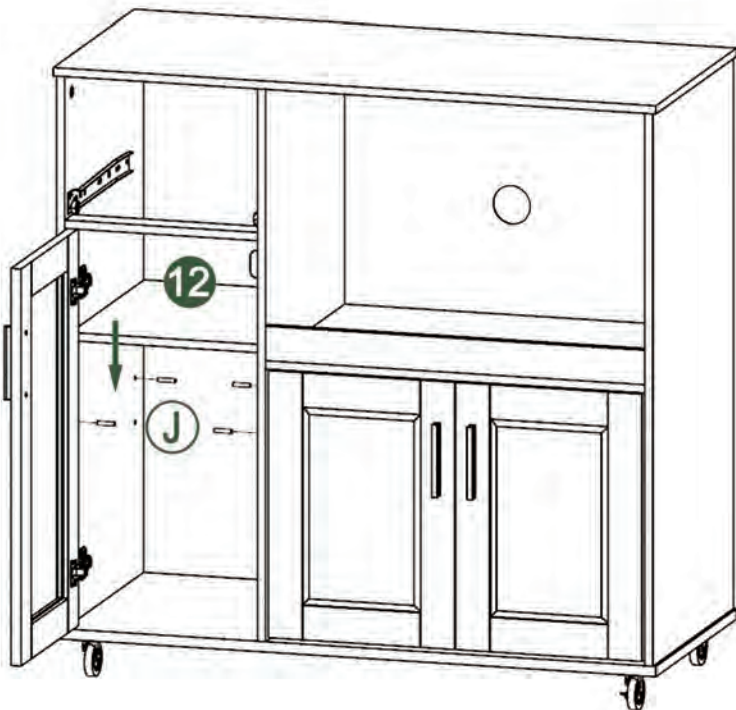
23.



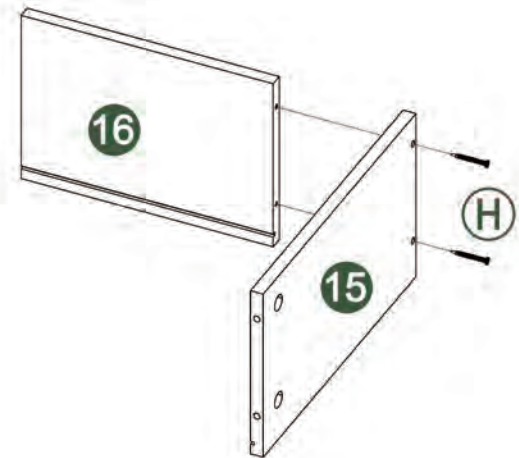
24.



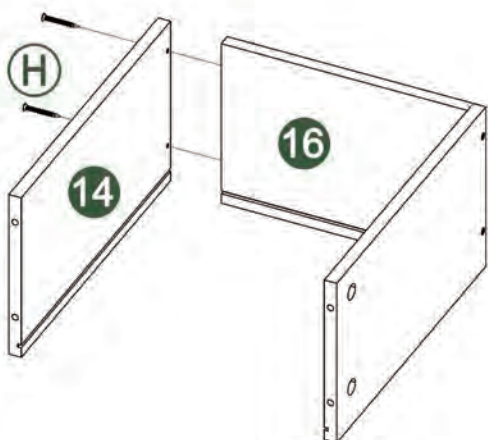
25.



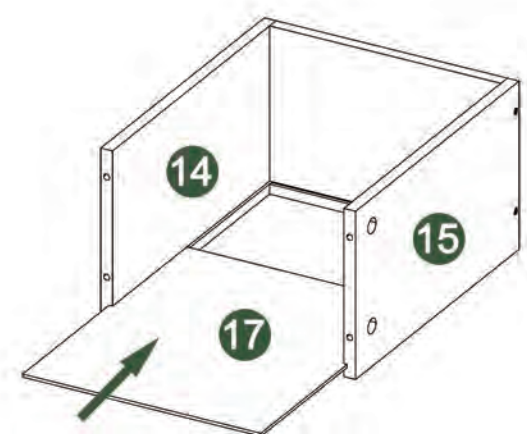
26.



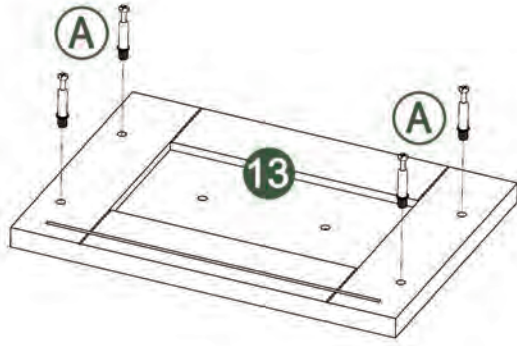
27.



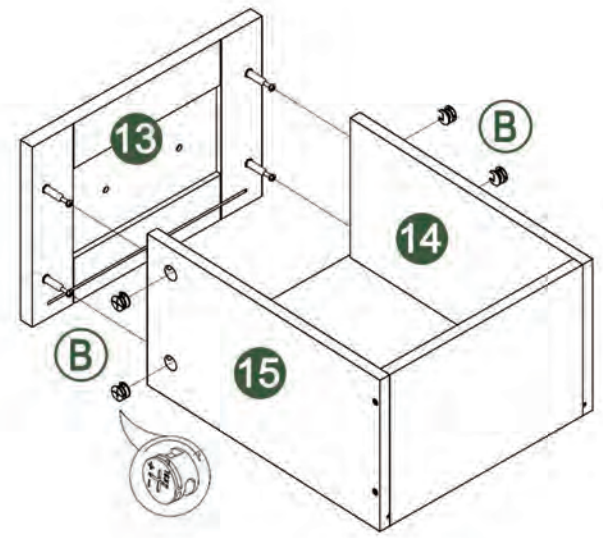
28.



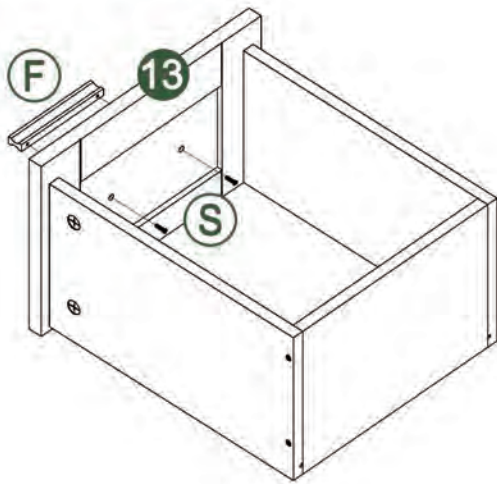
29.



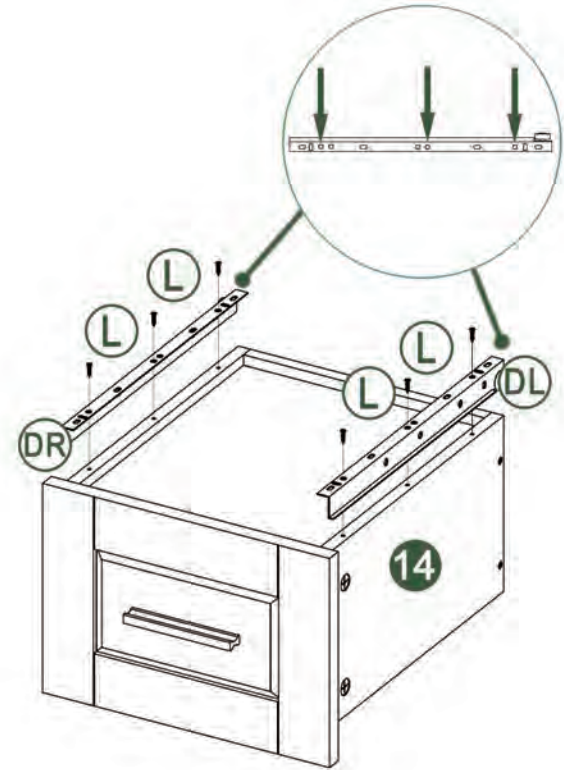
30.



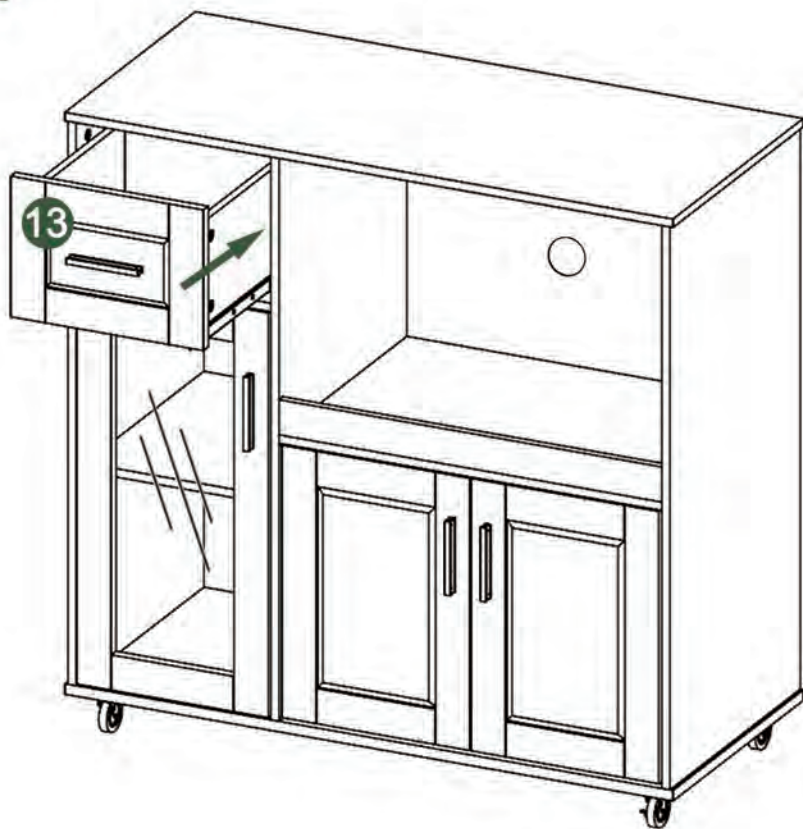
31.



32.



33.



34.

